



NViS1482 GPIO Design Proposal

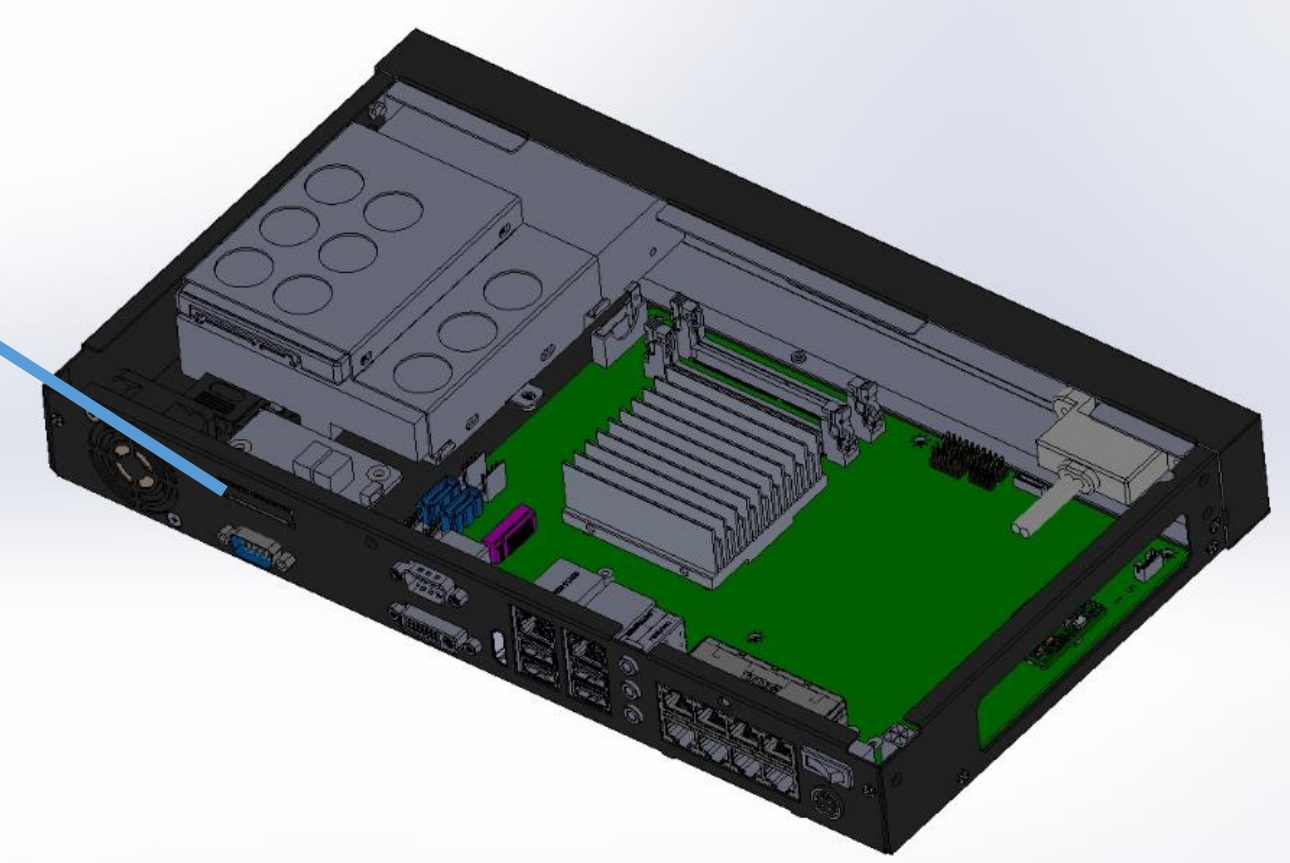
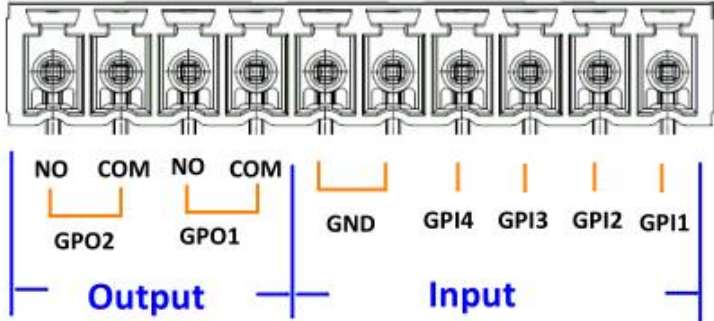
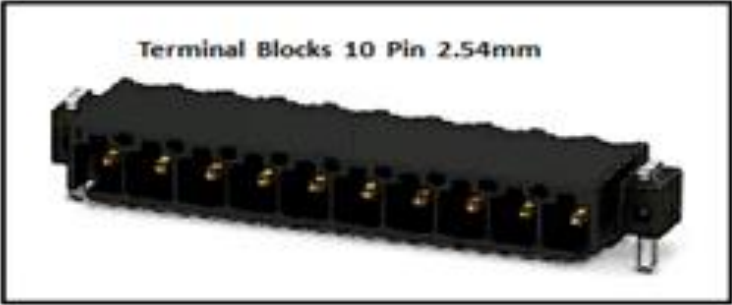
Committed to Customer Success

5/3/2022

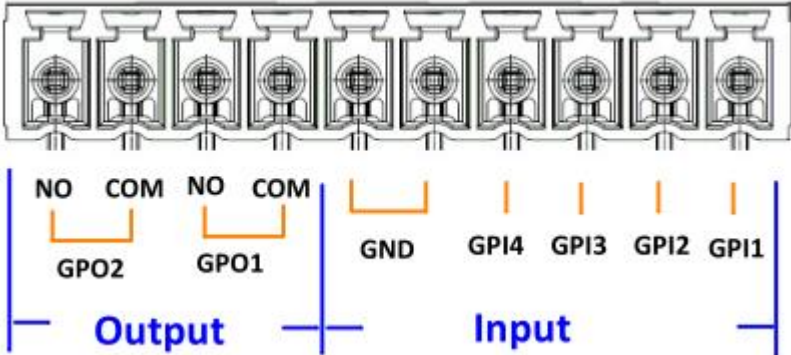
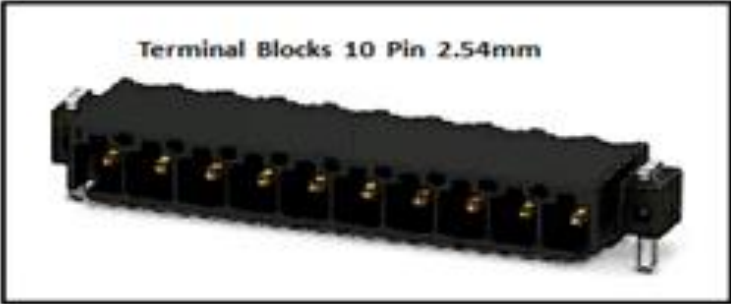
www.nexcom.com



NViS1482 4IN/20OUT GPIO Design



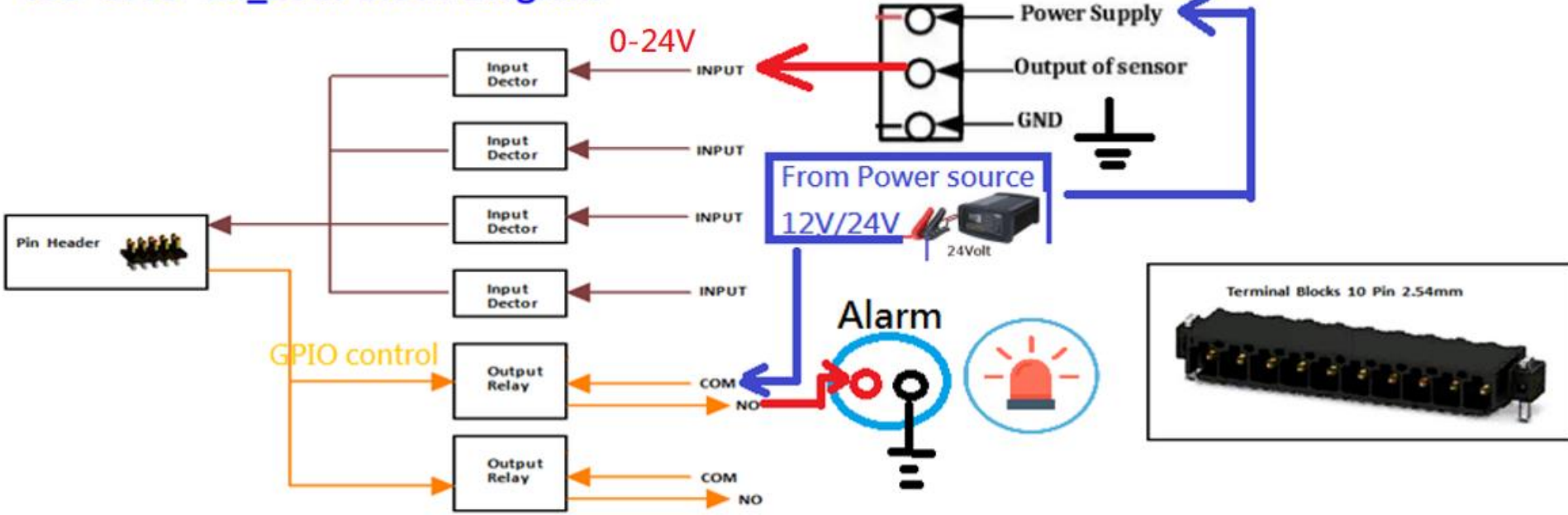
NViS1482 4IN/20UT Isolated GPIO Design



NViS1482 4IN/20OUT Isolated GPIO Design Application



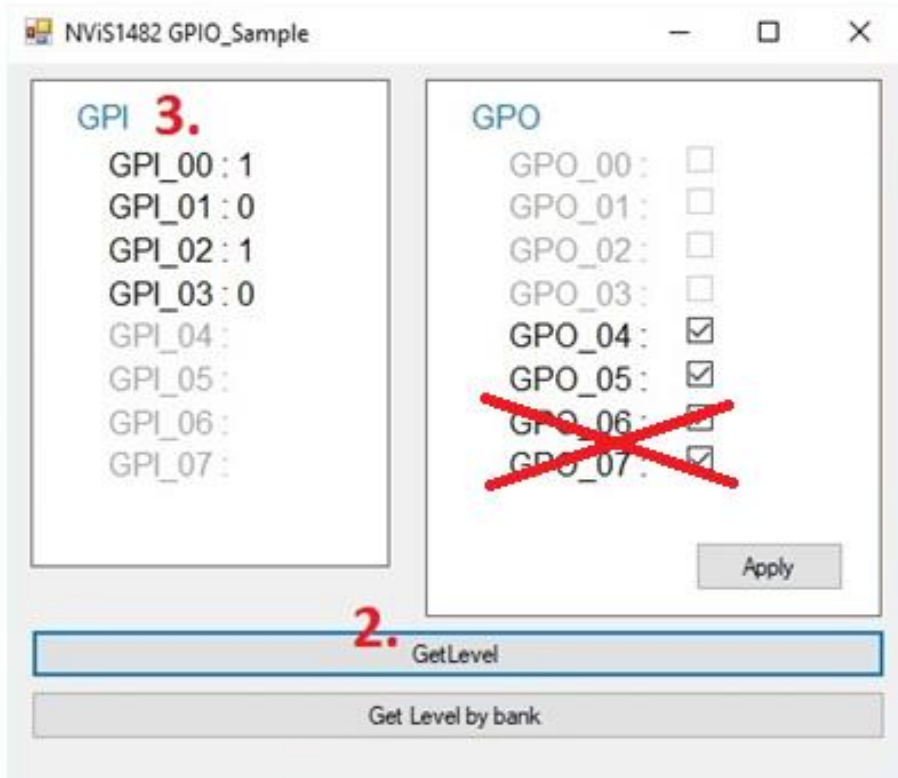
ISO GPIO 4in_2out Block Diagram



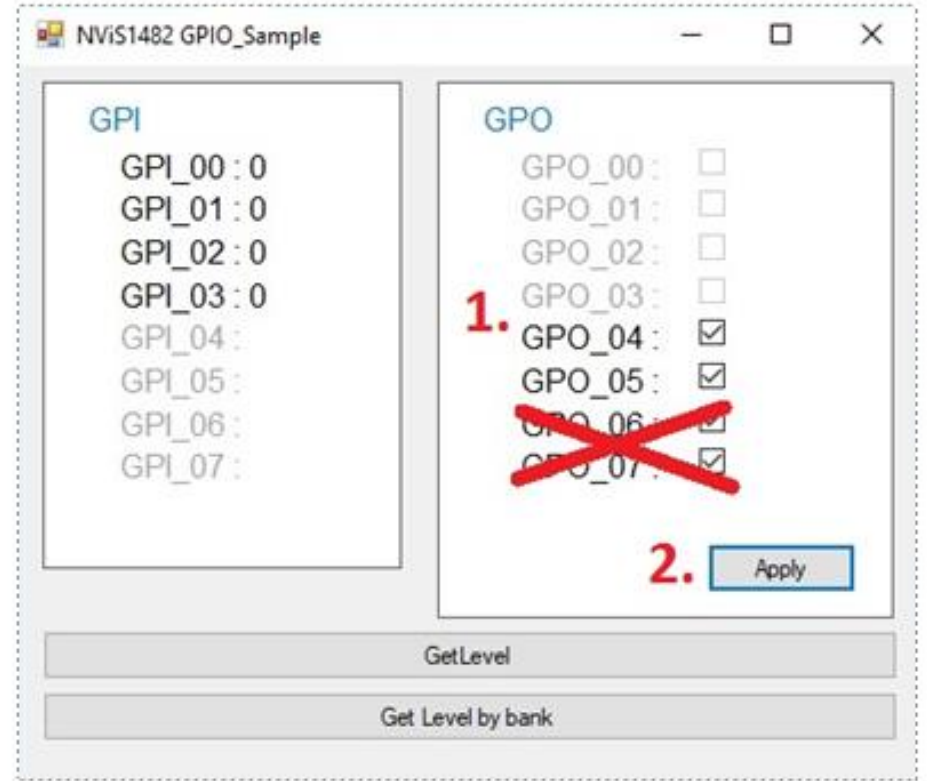
Limitation 24V/1A

NViS1482 4IN/20OUT SDK Control (Windows)

GPI (4IN)



GPO (20OUT)



**Thank
You**