

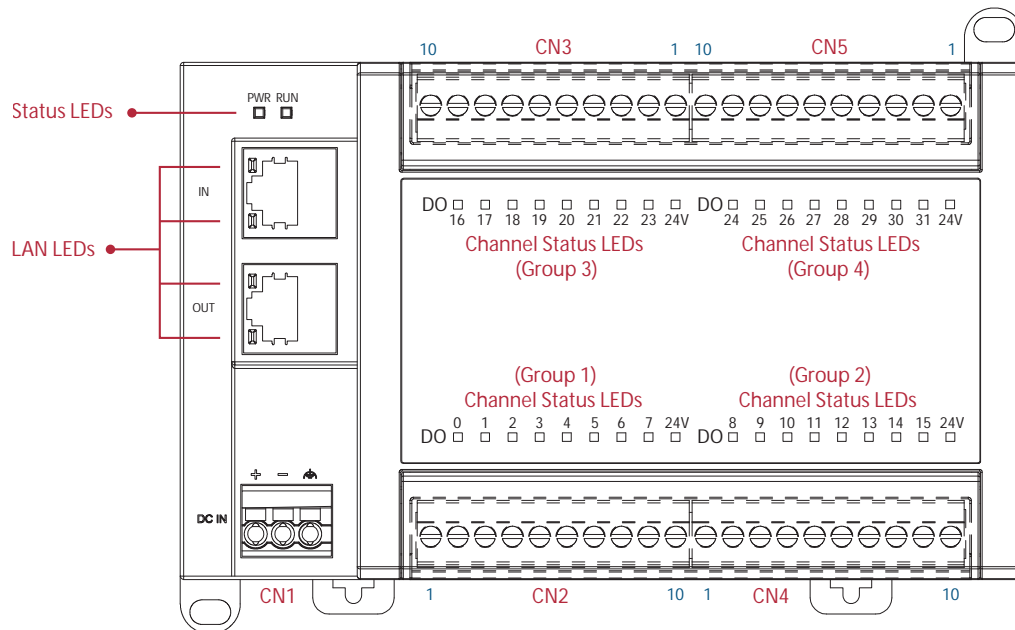
# NEIO-B1202 Quick Reference Guide

Ver. B (P/N: 60177B0343X00)

## Product Overview

The NEIO-B1202 is a 32-channel PNP type digital output EtherCAT slave module. Its normal output voltage is 24 V<sub>DC</sub>, and it supports three types of loads - resistive, inductive and capacitive. All of the NEIO modules are provided with high isolation protection, and verified by the EtherCAT conformance test tool. Therefore NEIO is a reliable module to implement in your applications.

## Product Appearance



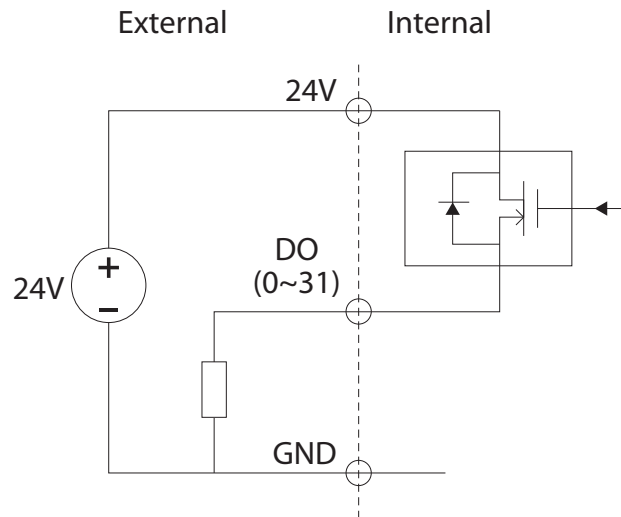
## Hardware Specifications

Power Input	
Power Input Range	24 V <sub>DC</sub> (±20%)
Electrical Isolation	2.5 kV
Terminal Block	Spring type (3P, 5.00 mm)
Cross Sections	0.2 ~ 2.5 mm <sup>2</sup> / AWG 26 ~ 12
Digital Output	
Channels	32
Output Type	24 V <sub>DC</sub> (PNP)
Load Type	Resistive, Inductive and Capacitive
Output Current	Maximum: 500 mA/ch
Switching Time	OFF to ON: 100 us ON to OFF: 150 us
Output Protection	Over Current Limit Short Circuit Protection Over Voltage Protection
Terminal Block	Detachable screw terminals (90°, 10P, 5.00 mm)
Cross Sections	Solid wire: 0.2 ~ 4 mm <sup>2</sup> / AWG 28 ~ 12 Stranded wire: 0.2 ~ 2.5 mm <sup>2</sup> / AWG 30 ~ 12
General Specifications	
Dimensions (W x H x D)	155 x 95 x 57.4 mm
Weight	324 g ± 20%
Mounting	Din-rail (35 mm) / wall mount
Operating Temperature	0 ~ +55 °C

# NEIO-B1202 Quick Reference Guide

Ver. B (P/N: 60177B0343X00)

## Wiring Diagram



## Pin Assignments

### CN1: Power

Pin	Description
1	V +
2	V -
3	GND

### CN2: Digital Output

Pin	Description
1	DO 0
2	DO 1
3	DO 2
4	DO 3
5	DO 4
6	DO 5
7	DO 6
8	DO 7
9	24V
10	GND

### CN3: Digital Output

Pin	Description
1	GND
2	24V
3	DO 23
4	DO 22
5	DO 21
6	DO 20
7	DO 19
8	DO 18
9	DO 17
10	DO 16

### CN4: Digital Output

Pin	Description
1	DO 8
2	DO 9
3	DO 10
4	DO 11
5	DO 12
6	DO 13
7	DO 14
8	DO 15
9	24V
10	GND

### CN5: Digital Output

Pin	Description
1	GND
2	24V
3	DO 31
4	DO 30
5	DO 29
6	DO 28
7	DO 27
8	DO 26
9	DO 25
10	DO 24

## LED Indicators

### Status LEDs

LED	Status	Color	Description
PWR	On	Green	Power on (power input range: 24 V <sub>DC</sub> , ±20%)
	Off	-	Power off
RUN	On	Green	The module is in the Operational state
	Single Flash	Green	The module is in the Safe-operational state
	Blinking	Green	The module is in the Pre-operational state
	Off	-	The module is in the Initial state

### LAN LEDs

LED	Communication Speed	Link	Act
	0	Off	Off
	10 Mbps	Off	Blinking (Yellow)
	100 Mbps	On (Green)	Blinking (Yellow)

### Channel Status LEDs

LED	Status	Color	Description
DO 0 ~ DO 31	On	Green	Digital output signal is set
	Off	-	No digital output signal
24V	On	Orange	24 V <sub>DC</sub> external power supply for each DO group is connected
	Off	-	24 V <sub>DC</sub> external power supply for each DO group is not connected

Note: NEIO series digital output module all requires a 24 V<sub>DC</sub> external power supply for each DO channel group.  
With the DO 24 V<sub>DC</sub> LEDs you can diagnostic the status of external power supply.

