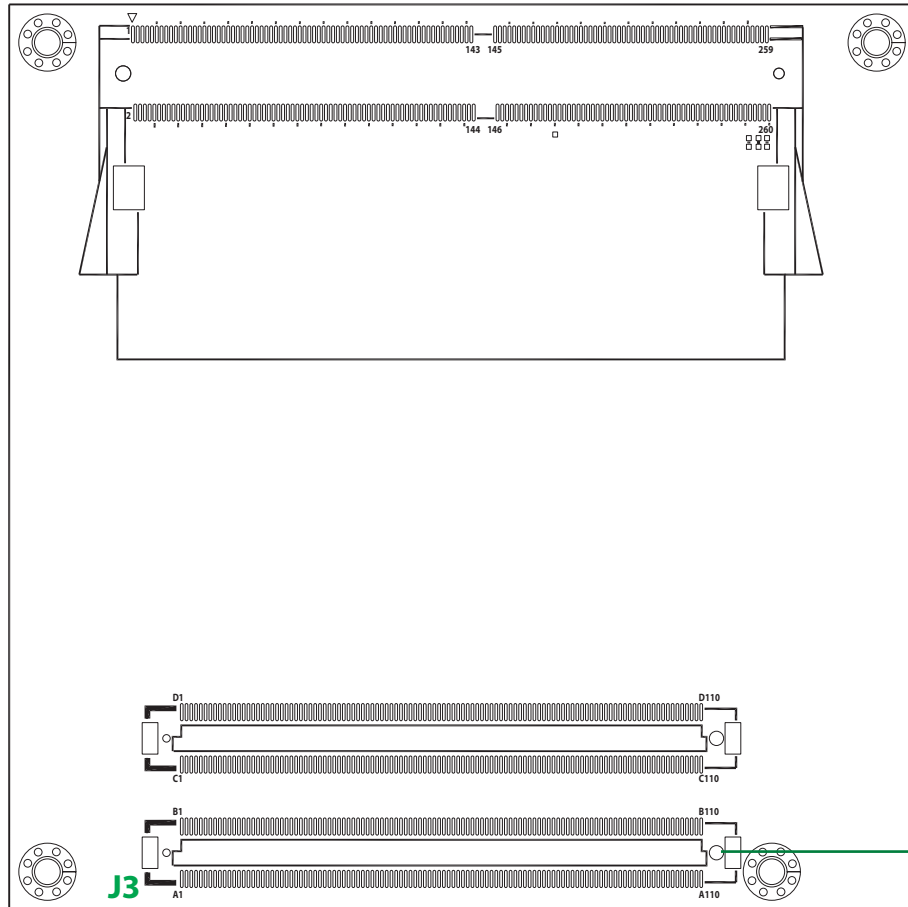


ICES 673 Quick Reference Guide

Ver A. (P/N: 60177A0501X00)

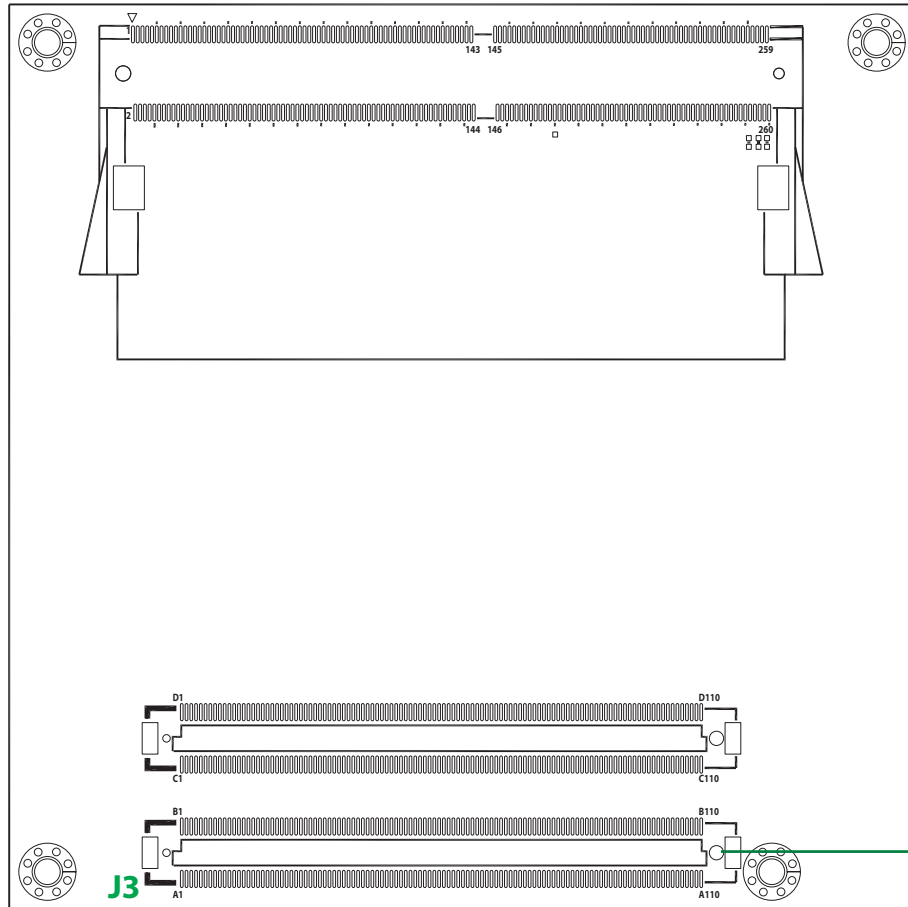


J3: High speed board to board connector: Row A, Row B, Row C, Row D

COM Express Connector - A&B Connector			
Row A			
A1	GND(FIXED)	A56	NC
A2	GBE0_MDI3-	A57	GND
A3	GBE0_MDI3+	A58	PCIE_TX4+
A4	GBE0_LINK100#	A59	PCIE_TX4-
A5	GBE0_LINK1000#	A60	GND(FIXED)
A6	GBE0_MDI2-	A61	PCIE_TX3+
A7	GBE0_MDI2+	A62	PCIE_TX3-
A8	GBE0_LINK#	A63	GP1
A9	GBE0_MDI1-	A64	PCIE_TX2+
A10	GBE0_MDI1+	A65	PCIE_TX2-
A11	GND(FIXED)	A66	GND
A12	GBE0_MDI0-	A67	GP12
A13	GBE0_MDI0+	A68	PCIE_TX1+
A14	NC	A69	PCIE_TX1-
A15	SUS_S3#	A70	GND(FIXED)
A16	SATA0_TX+	A71	NC
A17	SATA0_TX-	A72	NC
A18	SUS_S4#	A73	NC
A19	SATA0_RX+	A74	NC
A20	SATA0_RX-	A75	NC
A21	GND(FIXED)	A76	NC
A22	NC	A77	NC
A23	NC -	A78	NC
A24	SUS_S4#	A79	NC
A25	NC	A80	GND(FIXED)
A26	NC	A81	NC
A27	BATLOW#	A82	NC
A28	(S)ATA_ACT#	A83	NC
A29	AC/HDA_SYNC	A84	NC
A30	AC/HDA_RST#	A85	GP13
A31	GND(FIXED)	A86	NC
A32	AC/HDA_BITCLK	A87	NC
A33	AC/HDA_SDOUT	A88	PCIE_CLK_REF+
A34	BIOS_DISO#	A89	PCIE_CLK_REF-
A35	THRMTrip#	A90	GND(FIXED)
A36	USB6-	A91	SPI_POWER
A37	USB6+	A92	SPI_MISO
A38	USB_6_7_OC#	A93	GPO0
A39	USB4-	A94	SPI_CLK
A40	USB4+	A95	SPI_MOSI
A41	GND(FIXED)	A96	TPM_PP
A42	USB2-	A97	TYPE10#
A43	USB2+	A98	SER0_TX
A44	USB_2_3_OC#	A99	SER0_RX
A45	USB0-	A100	GND(FIXED)
A46	USB0+	A101	SER1_TX
A47	VCC_RTC	A102	SER1_RX
A48	EXCD0_PERST#	A103	NC
A49	NC	A104	VCC_12V
A50	LPC_SERIRQ	A105	VCC_12V
A51	GND(FIXED)	A106	VCC_12V
A52	NC	A107	VCC_12V
A53	NC	A108	VCC_12V
A54	GPIO	A109	VCC_12V
A55	NC	A110	GND(FIXED)

ICES 673 Quick Reference Guide

Ver A. (P/N: 60177A0501X00)



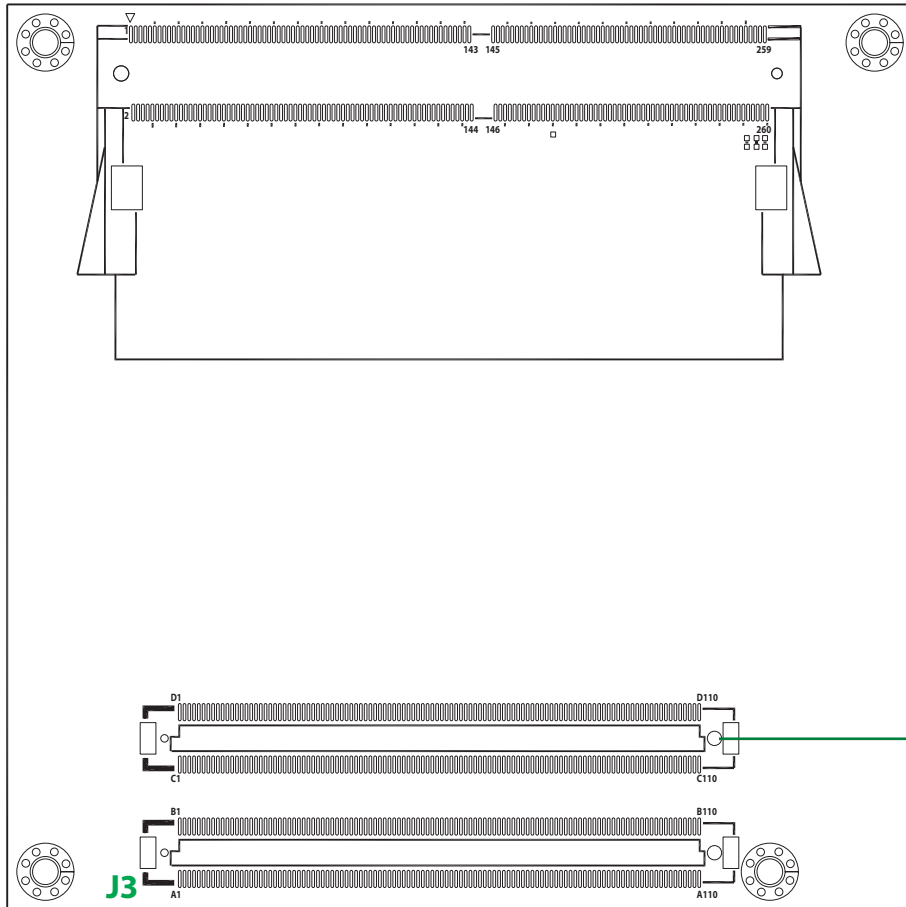
J3: High speed board to board connector: Row A, Row B, Row C, Row D

		Row B	
B1	GND(FIXED)	B56	PCIE_RX4-
B2	GBE0_ACT#	B57	GPO2
B3	LPC_FRAME#	B58	PCIE_RX3+
B4	LPC_AD0	B59	PCIE_RX3-
B5	LPC_AD1	B60	GND(FIXED)
B6	LPC_AD2	B61	PCIE_RX2+
B7	LPC_AD3	B62	PCIE_RX2-
B8	LPC_DRQ0#	B63	GPO3
B9	LPC_DRQ1#	B64	PCIE_RX1+
B10	LPC_CLK	B65	PCIE_RX1-
B11	GND(FIXED)	B66	WAKE0#
B12	PWRBTN#	B67	WAKE1#
B13	SMB_CLK	B68	PCIE_RX0+
B14	SMB_DAT	B69	PCIE_RX0-
B15	SMB_ALERT#	B70	GND(FIXED)
B16	SATA1_TX+	B71	NC
B17	SATA1_TX-	B72	NC
B18	SUS_STAT#	B73	NC
B19	SATA1_RX+	B74	NC
B20	SATA1_RX-	B75	NC
B21	GND(FIXED)	B76	NC
B22	NC	B77	NC
B23	NC	B78	NC
B24	PWR_OK	B79	NC
B25	NC	B80	GND(FIXED)
B26	NC	B81	NC
B27	WDT	B82	NC
B28	NC	B83	NC
B29	AC/HDA_SDIN1	B84	VCC_5V_SBY
B30	AC/HDA_SDIN0	B85	VCC_5V_SBY
B31	GND(FIXED)	B86	VCC_5V_SBY
B32	SPKR	B87	VCC_5V_SBY
B33	I2C_CLK	B88	BIOS_DIS1#
B34	I2C_DAT	B89	VGA_RED
B35	THR#	B90	GND(FIXED)
B36	USB7-	B91	VGA_GRN
B37	USB7+	B92	VGA_BLUE
B38	USB_4_5_OC#	B93	VGA_HSYNC
B39	USB5-	B94	VGA_VSYNC
B40	USB5+	B95	VGA_I2C_CLK
B41	GND(FIXED)	B96	VGA_I2C_DAT
B42	USB3-	B97	SPI_CS#
B43	USB3+	B98	RSVD
B44	USB_0_1_OC#	B99	RSVD
B45	USB1-	B100	GND(FIXED)
B46	USB1+	B101	FAN_PWMOUT
B47	EXCD1_PERST#	B102	FAN_TACHIN
B48	NC	B103	NC
B49	SYS_RESET#	B104	VCC_12V
B50	CB_RESET#	B105	VCC_12V
B51	GND(FIXED)	B106	VCC_12V
B52	NC	B107	VCC_12V
B53	NC	B108	VCC_12V
B54	GPO1	B109	VCC_12V
B55	PCIE_RX4+	B110	GND(FIXED)

COM Express Connector - A&B Connector

ICES 673 Quick Reference Guide

Ver A. (P/N: 60177A0501X00)



J3: High speed board to board connector: Row A, Row B, Row C, Row D

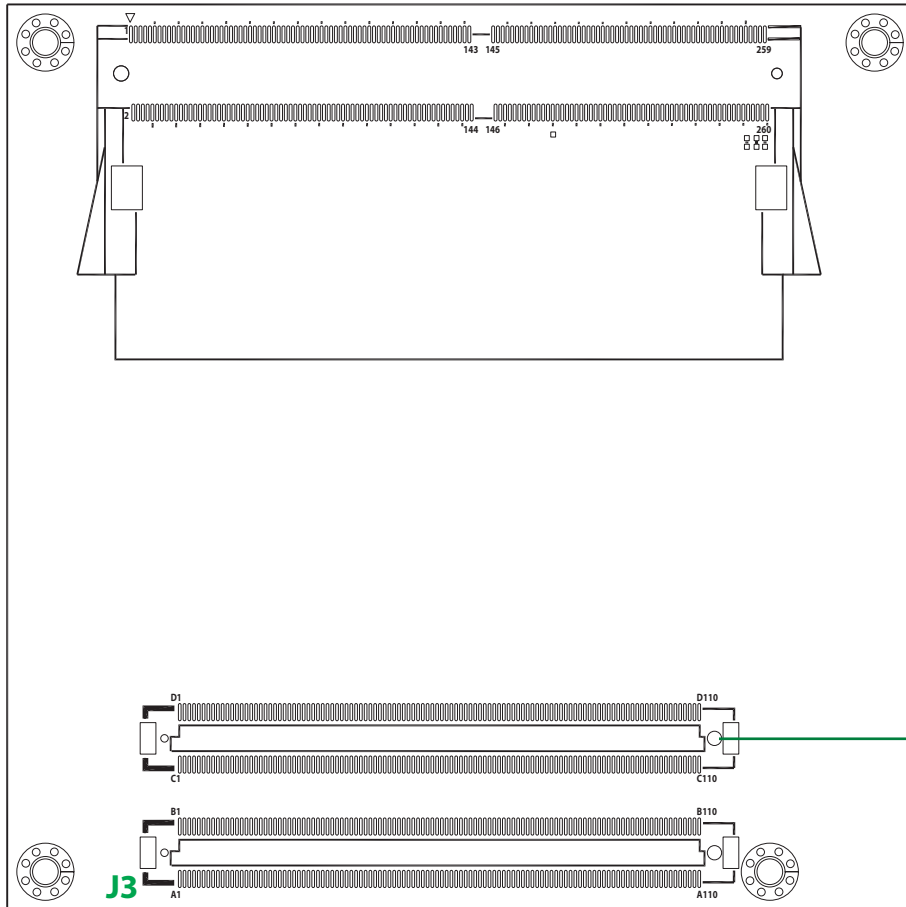
		Row C	
C1	GND(FIXED)	C56	NC
C2	GND	C57	TYPE1#
C3	USB_SSRX0-	C58	NC
C4	USB_SSRX0+	C59	NC
C5	GND	C60	GND(FIXED)
C6	USB_SSRX1-	C61	NC
C7	USB_SSRX1+	C62	NC
C8	GND	C63	RSVD
C9	USB_SSRX2-	C64	RSVD
C10	USB_SSRX2+	C65	NC
C11	GND(FIXED)	C66	NC
C12	USB_SSRX3-	C67	RSVD
C13	USB_SSRX3+	C68	NC
C14	GND	C69	NC
C15	NC	C70	GND(FIXED)
C16	NC	C71	NC
C17	RSVD	C72	NC
C18	RSVD	C73	GND
C19	NC	C74	NC
C20	NC	C75	NC
C21	GND(FIXED)	C76	GND
C22	NC	C77	RSVD
C23	NC	C78	NC
C24	DDI1_HPDP	C79	NC
C25	NC	C80	GND(FIXED)
C26	NC	C81	NC
C27	RSVD	C82	NC
C28	RSVD	C83	RSVD
C29	NC	C84	GND
C30	NC	C85	NC
C31	GND(FIXED)	C86	NC
C32	DDI2_CTRL_CLK_AUX+	C87	GND
C33	DDI2_CTRL_DATA_AUX-	C88	NC
C34	DDI2_DDC_AUX_SEL	C89	NC
C35	RSVD	C90	GND(FIXED)
C36	NC	C91	NC
C37	NC	C92	NC
C38	NC	C93	GND
C39	NC	C94	NC
C40	NC	C95	NC
C41	GND(FIXED)	C96	GND
C42	NC	C97	RSVD
C43	NC	C98	NC
C44	NC	C99	NC
C45	RSVD	C100	GND(FIXED)
C46	NC	C101	NC
C47	NC	C102	NC
C48	RSVD	C103	GND
C49	NC	C104	VCC_12V
C50	NC	C105	VCC_12V
C51	GND(FIXED)	C106	VCC_12V
C52	NC	C107	VCC_12V
C53	NC	C108	VCC_12V
C54	TYPE0#	C109	VCC_12V
C55	NC	C110	GND(FIXED)

COM Express Connector - C&D Connector



ICES 673 Quick Reference Guide

Ver A. (P/N: 60177A0501X00)

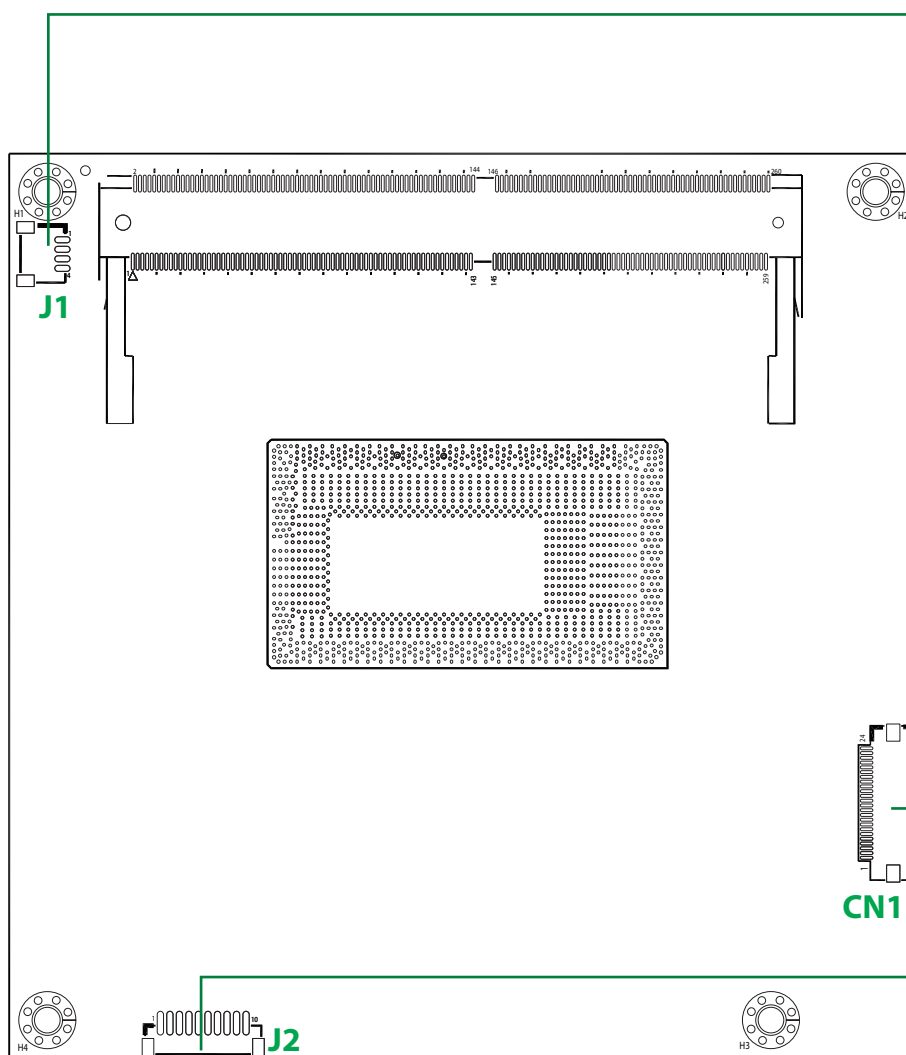


J3: High speed board to board connector: Row A, Row B, Row C, Row D

		Row D	
D1	GND(FIXED)	D56	NC
D2	GND	D57	TYPE2#
D3	USB_SSTX0-	D58	NC
D4	USB_SSTX0+	D59	NC
D5	GND	D60	GND(FIXED)
D6	USB_SSTX1-	D61	NC
D7	USB_SSTX1+	D62	NC
D8	GND	D63	RSVD
D9	USB_SSTX2-	D64	RSVD
D10	USB_SSTX2+	D65	NC
D11	GND(FIXED)	D66	NC
D12	USB_SSTX3-	D67	GND
D13	USB_SSTX3+	D68	NC
D14	GND	D69	NC
D15	DDI1_CTRL_CLK_AUX+	D70	GND(FIXED)
D16	DDI1_CTRL_DATA_AUX-	D71	NC
D17	RSVD	D72	NC
D18	RSVD	D73	GND
D19	NC	D74	NC
D20	NC	D75	NC
D21	GND(FIXED)	D76	GND
D22	NC	D77	RSVD
D23	NC	D78	NC
D24	RSVD	D79	NC
D25	RSVD	D80	GND(FIXED)
D26	DDI1_PAIR0+	D81	NC
D27	DDI1_PAIR0-	D82	NC
D28	RSVD	D83	RSVD
D29	DDI1_PAIR1+	D84	GND
D30	DDI1_PAIR1-	D85	NC
D31	GND(FIXED)	D86	NC
D32	DDI1_PAIR2+	D87	GND
D33	DDI1_PAIR2-	D88	NC
D34	DDI1_DDC_AUX_SEL	D89	NC
D35	RSVD	D90	GND(FIXED)
D36	DDI1_PAIR3+	D91	NC
D37	DDI1_PAIR3-	D92	NC
D38	RSVD	D93	GND
D39	DDI2_PAIR0+	D94	NC
D40	DDI2_PAIR0-	D95	NC
D41	GND(FIXED)	D96	GND
D42	DDI2_PAIR1+	D97	RSVD
D43	DDI2_PAIR1-	D98	NC
D44	DDI2_HPDI	D99	NC
D45	RSVD	D100	GND(FIXED)
D46	DDI2_PAIR2+	D101	NC
D47	DDI2_PAIR2-	D102	NC
D48	RSVD	D103	GND
D49	DDI2_PAIR3+	D104	VCC_12V
D50	DDI2_PAIR3-	D105	VCC_12V
D51	GND(FIXED)	D106	VCC_12V
D52	NC	D107	VCC_12V
D53	NC	D108	VCC_12V
D54	NC	D109	VCC_12V
D55	NC	D110	GND(FIXED)

ICES 673 Quick Reference Guide

Ver A. (P/N: 60177A0501X00)



• J1: CPU Fan

Pin	Signal
1	PWM
2	TACH
3	+12V
4	GND

• CN1: EC JTAG

Pin	Signal	Pin	Signal	Pin	Signal
1	EC_KSO0	2	EC_KSO1	3	EC_KSO2
4	EC_KSO3	5	EC_KSO4	6	EC_KSO5
7	EC_KSO6	8	EC_KSO7	9	EC_KSO8
10	EC_KSO9	11	EC_KSO10	12	GND
13	GND	14	GND	15	GND
16	GND	17	EC_KSI0	18	EC_KSI1
19	EC_KSI2	20	EC_KSI3	21	EC_KSI4
22	EC_KSI5	23	GND	24	GND

• J2: DBG Connector

Pin	Signal	Pin	Signal
1	GND	2	PLTRST#
3	LPC_33MCLK	4	LPC_FRAM#
5	LPC_AD3	6	LPC_AD2
7	LPC_AD1	8	LPC_AD0
9	VCC3	10	VCC3

Quick reference guide is subject to change without prior notice.
For any update, please visit our website: www.nexcom.com

= Pin1 [*] = Default setting

