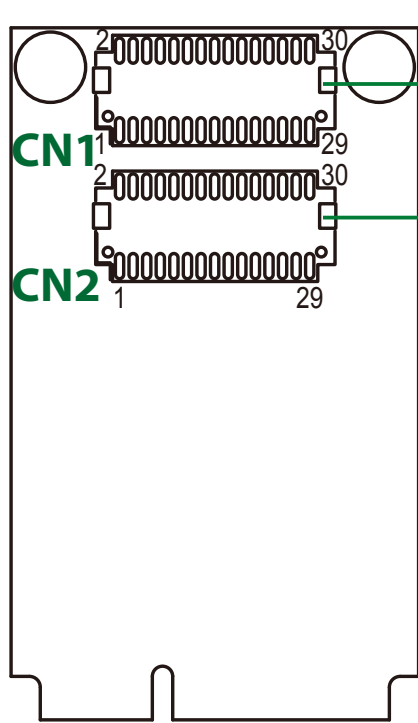
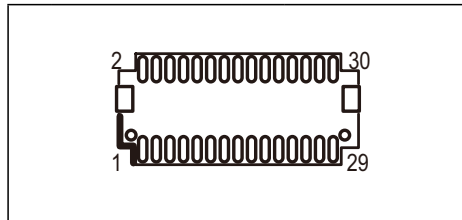


# NISKECOM4 Quick Reference Guide

Ver A. (P/N : 60177A0432X00)

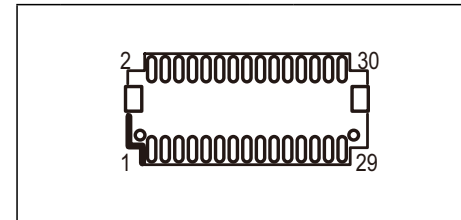


● CN1: COM Port Connector



Pin	Description	Pin	Description
1	DSR0	2	DCD0
3	RTS0	4	RXD0
5	CTS0	6	TXD0
7	RI0	8	DTR0
9	NC	10	GND
11	DSR1	12	DCD1
13	RTS1	14	RXD1
15	CTS1	16	TXD1
17	RI1	18	DTR1
19	NC	20	GND

● CN2: COM Port Connector

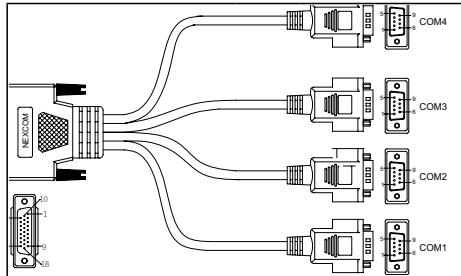


Pin	Description	Pin	Description
1	DSR2	2	DCD2
3	RTS2	4	RXD2
5	CTS2	6	TXD2
7	RI2	8	DTR2
9	NC	10	GND
11	DSR3	12	DCD3
13	RTS3	14	RXD3
15	CTS3	16	TXD3
17	RI3	18	DTR3
19	NC	20	GND

# NISKECOM4 Quick Reference Guide

Ver A. (P/N : 60177A0432X00)

**DB26 TO COM1-COM4 Cable Wiring Chart**



DB26	Description	DB26	Description
1	DCD0	14	DCD2
2	RXD0	15	RXD2
3	TXD0	16	TXD2
4	DTR0	17	DTR2
5	GND	18	GND
6	RTS0	19	RTS2
7	CTS0	20	CTS2
8	DCD1	21	DCD3
9	RXD1	22	RXD3
10	TXD1	23	TXD3
11	DTR1	24	DTR3
12	RTS1	25	RTS
13	CTS1	26	CTS3

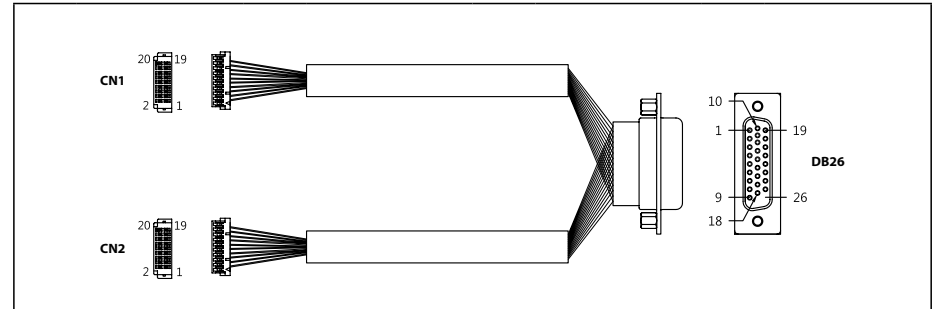
COM1	Description	DB26	Description
1	DCD	1	DCD0
2	RXD	2	RXD0
3	TXD	3	TXD0
4	DTR	4	DTR0
5	GND	5	GND
6	NC		
7	RTS	6	RTS0
8	CTS	7	CTS0
9	NC		

COM2	Description	DB26	Description
1	DCD	8	DCD1
2	RXD	9	RXD1
3	TXD	10	TXD1
4	DTR	11	DTR1
5	GND	5	GND
6	NC		
7	RTS	12	RTS1
8	CTS	13	CTS1
9	NC		

COM3	Description	DB26	Description
1	DCD	14	DCD2
2	RXD	15	RXD2
3	TXD	16	TXD2
4	DTR	17	DTR2
5	GND	18	GND
6	NC		
7	RTS	19	RTS2
8	CTS	20	CTS2
9	NC		

COM4	Description	DB26	Description
1	DCD	21	DCD3
2	RXD	22	RXD3
3	TXD	23	TXD3
4	DTR	24	DTR3
5	GND	18	GND
6	NC		
7	RTS	25	RTS3
8	CTS	26	CTS3
9	NC		

**CN1, CN2 to DB26 Cable Wiring Chart**



CN1	Description	DB26	Description	CN2	Description	DB26	Description
1	NC	NC	NC	1	NC	NC	NC
2	DCD0	1	DCD0	2	DCD2	14	DCD2
3	RTS0	6	RTS0	3	RTS2	19	RTS2
4	RXD0	2	RXD0	4	RXD2	15	RXD2
5	CTS0	7	CTS0	5	CTS2	20	CTS2
6	DTR0	3	DTR0	6	DTR2	16	DTR2
7	NC	NC	NC	7	NC	NC	NC
8	DTR0	4	DTR0	8	DTR2	17	DTR2
9	NC	NC	NC	9	NC	NC	NC
10	GND	GND	GND	10	GND	GND	GND
11	NC	NC	NC	11	NC	NC	NC
12	DCD1	8	DCD1	12	DCD3	21	DCD3
13	RTS1	12	RTS1	13	RTS3	26	RTS3
14	RXD1	9	RXD1	14	RXD3	22	RXD3
15	CTS1	13	CTS1	15	CTS3	26	CTS3
16	TXD1	10	TXD1	16	TXD3	23	TXD3
17	NC	NC	NC	17	NC	NC	NC
18	DTR1	11	DTR1	18	DTR3	24	DTR3
19	NC	NC	NC	19	NC	NC	NC
20	NC	NC	NC	20	NC	NC	NC

