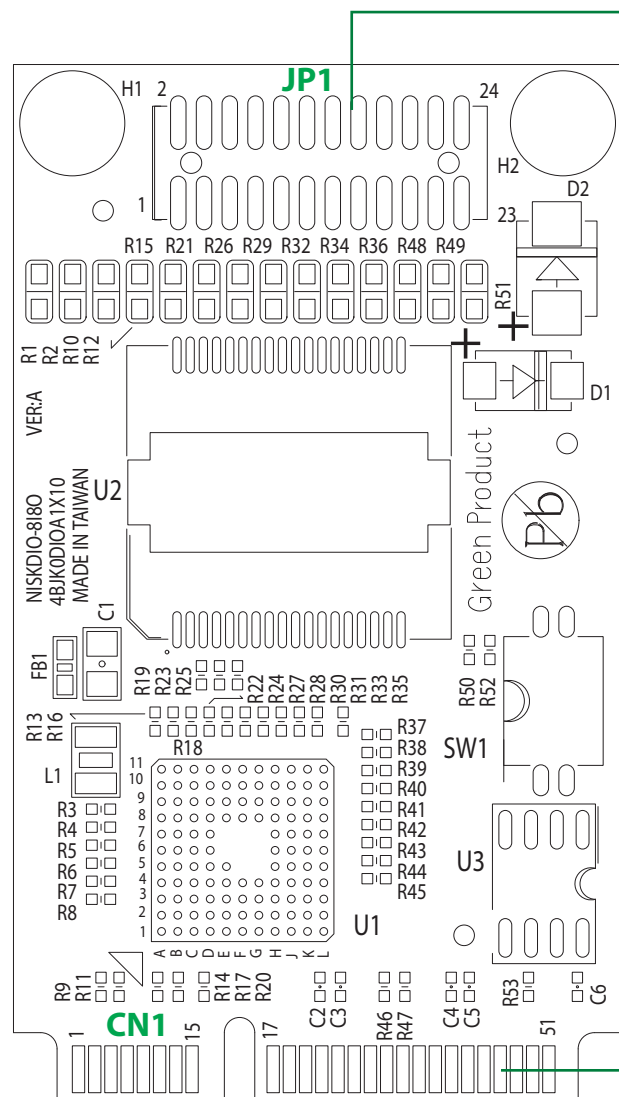
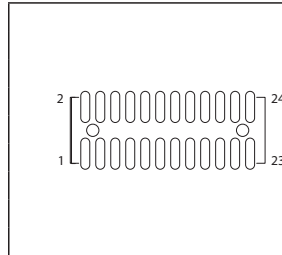


NISKDIO-8I80 Quick Reference Guide

Ver A. (P/N: 60177A0550X00)

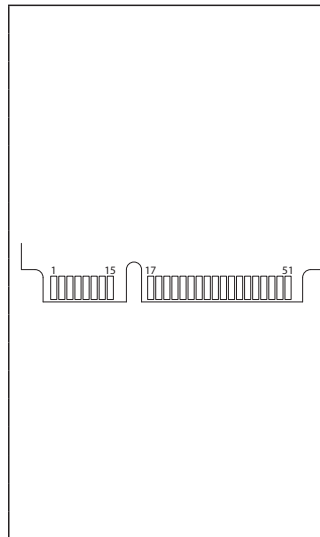


JP1: DI 8 Port & DO 8 Port



Net Name	Number	Net Name	Number	Net Name	Number
1	DI_0	2	DO0	3	DI_1
4	DO1	5	DI_2	6	DO2
7	DI_3	8	DO3	9	DI_4
10	DO4	11	DI_5	12	DO5
13	DI_6	14	DO6	15	DI_7
16	DO7	17	VCC_DI	18	DO_24V
19	DI_GND	20	DO_24V	21	DO_GND
22	DO_24V	23	DO_GND	24	DO_GND

CN1: mini-PCle



Net Name	Number	Net Name	Number	Net Name	Number
1	N/A	2	3VSB_MINI1	3	N/A
4	GND	5	N/A	6	N/A
7	MINICARD1CLKREQ#	8	N/A	9	GND
10	N/A	11	REFCLK-	12	N/A
13	REFCLK+	14	N/A	15	GND
16	N/A	17	N/A	18	GND
19	N/A	20	EXAR_RESET#	21	GND
22	PLT_RST_BF#	23	PCIE_RXN1_MINI	24	3VSB_MINI1
25	PCIE_RXP1_MINI	26	GND	27	GND
28	N/A	29	GND	30	N/A
30	PCIE_TXN1_MINI_R	32	N/A	33	PCIE_TXP1_MINI_R
34	GND	35	GND	36	N/A
37	GND	38	N/A	39	3VSB_MINI1
40	GND	41	3VSB_MINI1	42	N/A
43	GND	44	N/A	45	N/A
46	N/A	47	N/A	48	N/A
49	N/A	50	GND	51	N/A
52	3VSB_MINI1				

Quick reference guide is subject to change without prior notice. For any update, please visit our website: www.nexcom.com

=Pin1 [*]=Default setting