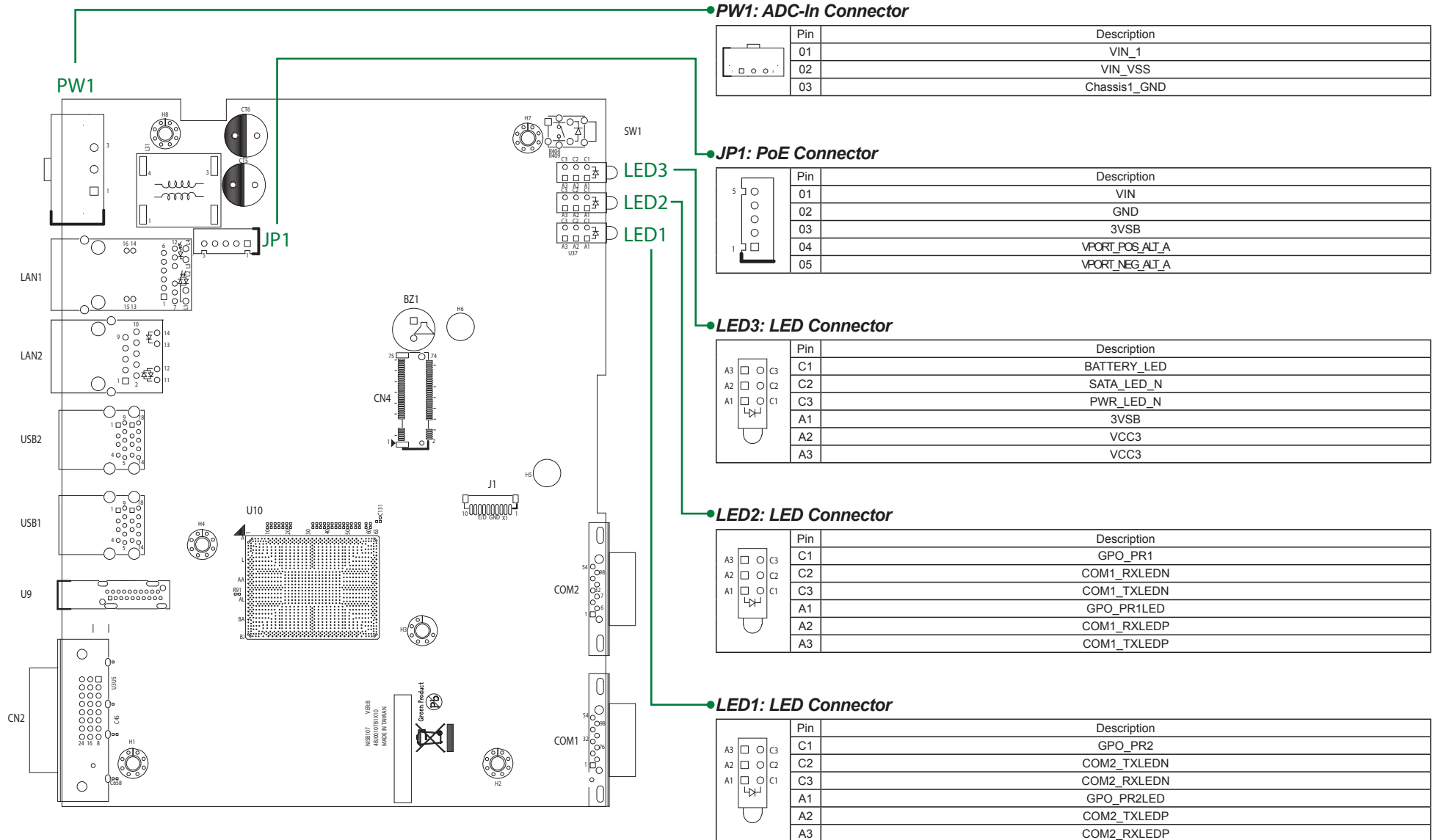


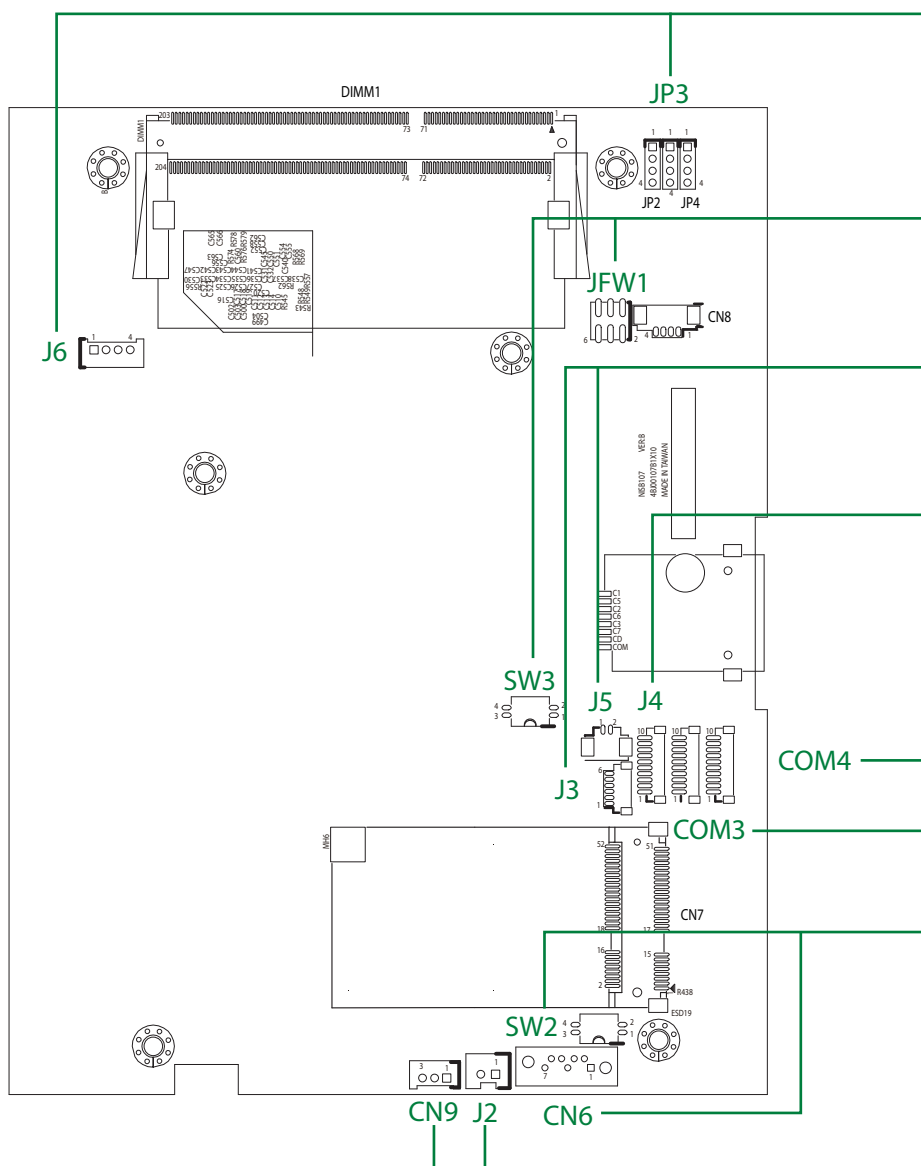
NISE 107 Quick Reference Guide

Ver A. (P/N: 60177A0616X00)



NISE 107 Quick Reference Guide

Ver A. (P/N: 60177A0616X00)



J6: USB 2.0 Connector

Pin	Description	Pin	Description
01	P5V_USB_P2	03	USB2_P7_C
02	USB2_N7_C	04	GND

SW3: ARTC RTEST Connector

Pin	Description
01	ATX_P3V3
02	ATX_P3V3
03	ATX_P3V3
04	-12V

J3: GPS Connector

Pin	Description	Pin	Description
01	GPS_BAT	05	GND
02	NC	06	VCC3
03	COM3_TXD	MH1	GND
04	COM3_RXD	MH2	GND

J4: GPIO Connector

Pin	Description	Pin	Description
01	VCC5	06	ICH_GPI1_IN
02	GND	07	ICH_GPO2_OUT
03	ICH_GPO0_OUT	08	ICH_GPI2_IN
04	ICH_GPI0_IN	09	ICH_GPO3_OUT
05	ICH_GPO1_OUT	10	ICH_GPI3_IN

COM3: COM Port 3 Connector

Pin	Description	Pin	Description
01	SP3_DCD#_R	06	SP3_DSR#_R
02	SP3_RXD_R	07	SP3_RTS#_R
03	SP3_TXD_R	08	SP3_CTS#_R
04	SP3_DTR#_R	09	SP3_RI#_R
05	GND	10	GND

SW2: AT/ATX Connector

Pin	Description
01	AT_PWRBT#
02	PBT_TR1
03	GND
04	PWRBTN#

CN9: Remote Button/S3 Connector

Pin	Description	Pin	Description
01	REMOTE_S3	03	PBT_TR_C
02	GND		

JP3: Line in Connector

Pin	Description	Pin	Description
01	FLIN_L	03	LIN_JD
02	GND	04	FLIN_R

JFW1: FW BIOS Connector

Pin	Description	Pin	Description
01	VSPI	04	BIOS_SPI_CLK
02	GND	05	BIOS_SPI_SO
03	VSPI	06	BIOS_SPI_SI

J5: RTC Connector

Pin	Description
01	GND
02	GND

COM4: COM Port 4 Connector

Pin	Description	Pin	Description
01	SP4_DCD#_R	06	SP4_DSR#_R
02	SP4_RXD_R	07	SP4_RTS#_R
03	SP4_TXD_R	08	SP4_CTS#_R
04	SP4_DTR#_R	09	SP4_RI#_R
05	GND	10	GND

CN6: SATA Connector

Pin	Description	Pin	Description
01	GND	05	SATA_RXN1_C
02	SATA_TXP1_C	06	SATA_RXP1_C
03	SATA_TXN1_C	07	GND
04	GND		

J2: SATA Power Connector

Pin	Description
01	GND
02	VCC5

