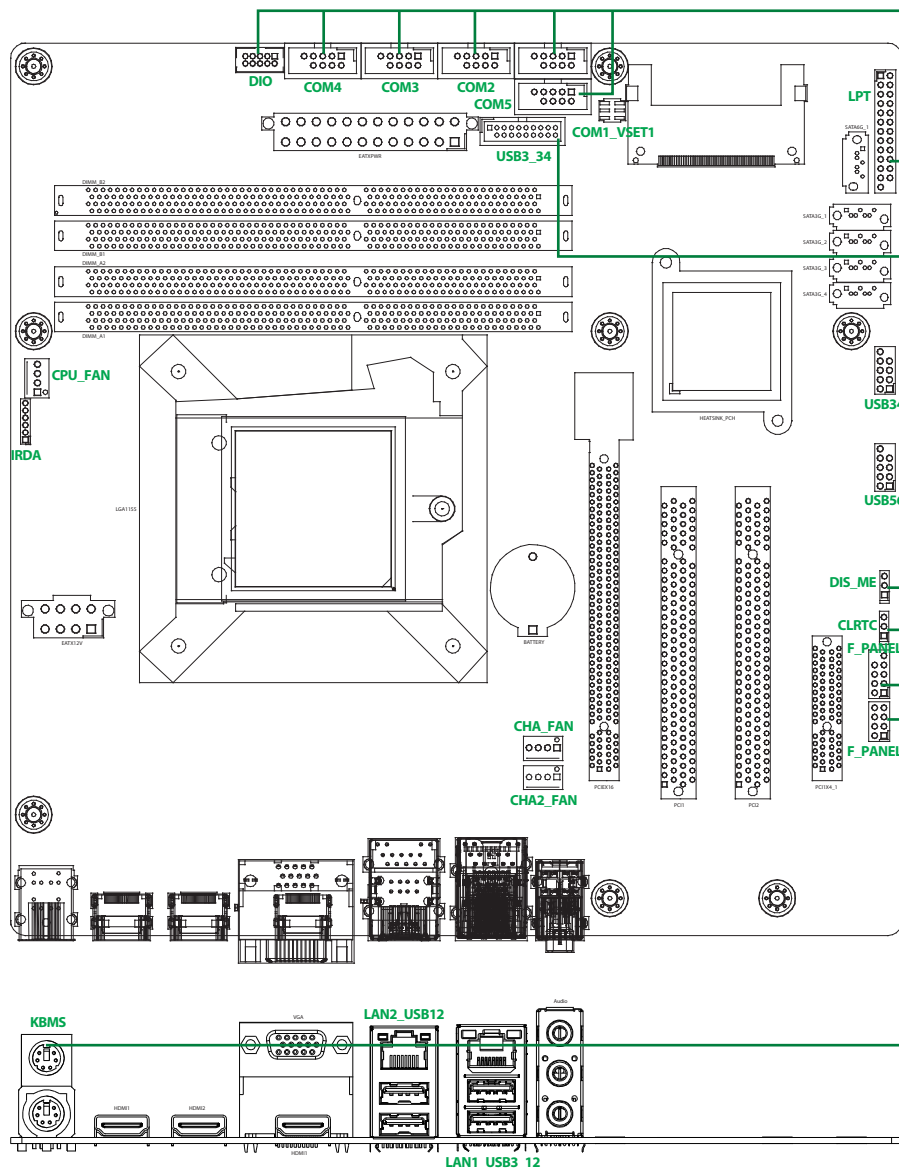


NEX 810 Quick Reference Guide



DIO1: Digital I/O Connector

Pin	Definition	Pin	Definition
1	DIO_I#1 (GP50)	2	DIO_I#2 (GP51)
3	DIO_I#3 (GP52)	4	DIO_I#4 (GP53)
5	DIO_O#1 (GP54)	6	DIO_O#2 (GP55)
7	DIO_O#3 (GP56)	8	DIO_O#4 (GP57)
9	+5V	10	GND

USB3_34: Internal USB3.0 Connector

Pin	Definition	Pin	Definition
1	+5V	19	(kill pin)
2	USB3_RX_DN1	18	+5V
3	USB3_RX_DP1	17	USB3_RX_DN2
4	GND	16	USB3_RX_DP2
5	USB3_TX_DN1	15	GND
6	USB3_TX_DP1	14	USB3_TX_DN2
7	GND	13	USB3_TX_DP2
8	USB2_DN1	12	GND
9	USB2_DP1	11	USB2_DN2
10	GND	10	USB2_DP2

DIS_ME: Management Engine Update Function Selection

Pin	Definition
1-2	Enable ME Update (Default)
2-3	Disable ME Update

F_PANEL: Front Panel Connector

Pin	Definition	Pin	Definition
1	HDLED+	2	PLED+
3	HDLED-	4	PLED-
5	GND	6	PWRBTN#PANEL
7	O_RSTCON#PR	8	GND
9	(NC)	10	(kill pin)

KBMS: PS/2 Keyboard/Mouse Connector

Pin	Definition	Pin	Definition	Pin	Definition	Pin	Definition
1	KB_DATA	2	(NC)	3	GND	4	+5V
5	KB_CLK	6	(NC)	7	MS_DATA	8	(NC)
9	GND	10	+5V	11	MS_CLK	12	(NC)
13	GND	14	GND	15	GND	16	GND
17	GND						

COM1~COM5: Internal COM Serial Port Connector

Pin	Definition	Pin	Definition
1	DCD	2	RXD
3	TXD	4	DTR
5	GND	6	DSR
7	RTS	8	CTS
9	RI	10	(kill pin)

LPT: Internal Parallel Port Connector

Pin	Definition	Pin	Definition
1	LPT_XSTB#	2	LPT_XAFD#
3	LPT_XPD0	4	LPT_ERROR#
5	LPT_XPD1	6	LPT_XINIT#
7	LPT_XPD2	8	LPT_XSLIN#
9	LPT_XPD3	10	GND
11	LPT_XPD4	12	GND
13	LPT_XPD5	14	GND
15	LPT_XPD6	16	GND
17	LPT_XPD7	18	GND
19	LPT_ACK#	20	GND
21	LPT_BUSY	22	GND
23	LPT_PE	24	GND
25	LPT_SLCT	26	(kill pin)

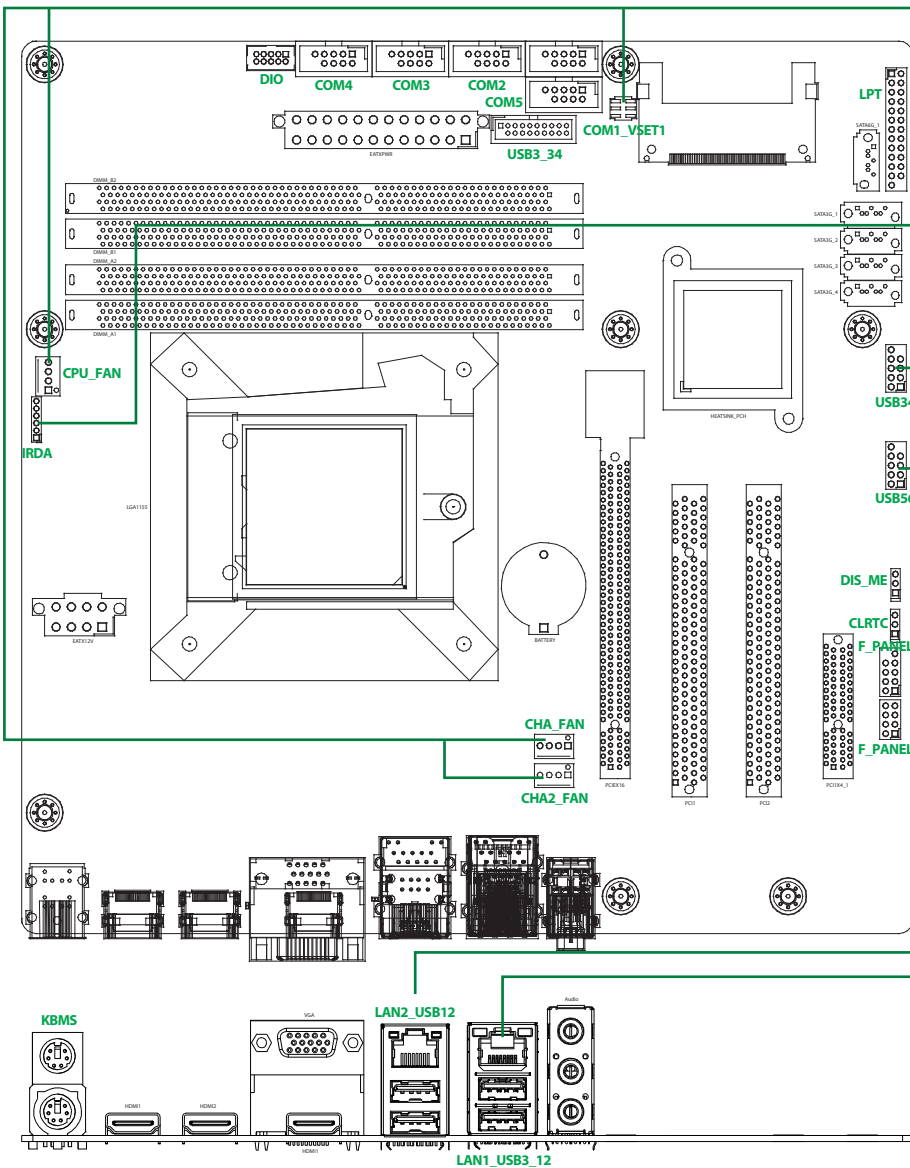
CLRTC: Clear CMOS

Pin	Definition
1-2	Protected (Default)
2-3	Clear

F_PANEL2: Front Panel 2 Connector

Pin	Definition	Pin	Definition
1	SPKO+	2	KEYLOCK#
3	(NC)	4	GND
5	S_Buzzer	6	S_SMBCLK_MAIN
7	SPKO-	8	S_SMBDATA_MAIN

NEX 810 Quick Reference Guide



CPU_FAN / CHA_FAN / CHA_FAN2: FAN Connector

Pin	Definition
1	PWM
2	SENSE
3	VCC
4	GND

COM1_VSET1: COM1 Ring / +5V / +12V Selection

Pin	Definition
1-2	+12V
3-4	+5V
5-6	Ring (Default)

IRDA: IrDA Connector

Pin	Definition
1	+5V
2	(NC)
3	IR_RX
4	GND
5	IR_TX
6	(NC)

USB34 / USB56: Internal USB2.0 Connector

Pin	Definition	Pin	Definition
1	+5V	2	+5V
3	USB2_DN1	4	USB2_DN2
5	USB2_DP1	6	USB2_DP2
7	GND	8	GND
9	(kill pin)	10	(NC)

LAN2_USB12: 1000Base-T Ethernet Connector with Dock USB 2.0 Connector

Pin	Definition	Pin	Definition	Pin	Definition	Pin	Definition
1	GND	2	GND	3	USB2_DP1	4	USB2_DP2
5	USB2_DN1	6	USB2_DN2	7	+5V	8	+5V
9	LAN_CTR	10	LAN_MDI_DP0	11	LAN_MDI_DN0	12	LAN_MDI_DP1
13	LAN_MDI_DN1	14	LAN_MDI_DP2	15	LAN_MDI_DN2	16	LAN_MDI_DP3
17	LAN_MDI_DN3	18	GND	19	LAN_LED_LINK100#	20	LAN_LED_LINK1000#
21	LAN_LED_ACT#	22	LAN_LED_ACT	23	GND	24	GND
25	GND	26	GND	27	GND	28	GND
29	GND	30	GND				

LAN1_USB3_12: 1000Base-T Ethernet Connector with Dock USB 3.0 Connector

Pin	Definition	Pin	Definition	Pin	Definition	Pin	Definition
1	+5V	2	USB2_DN2	3	USB2_DP2	4	GND
5	USB3_RX_DN2	6	USB3_RX_DP2	7	GND	8	USB3_TX_DN2
9	USB3_TX_DP2	10	+5V	11	USB2_DN1	12	USB2_DP1
13	GND	14	USB3_RX_DN1	15	USB3_RX_DP1	16	GND
17	USB3_TX_DN1	18	USB3_TX_DP1	19	LAN_CTR	20	LAN_MDI_DP0
21	LAN_MDI_DN0	22	LAN_MDI_DP1	23	LAN_MDI_DN1	24	LAN_MDI_DP2
25	LAN_MDI_DN2	26	LAN_MDI_DP3	27	LAN_MDI_DN3	28	GND
29	LAN_LED_ACT	30	LAN_LED_ACT#	31	LAN_LED_LINK1000#	32	LAN_LED_LINK100#
33	GND	34	GND	35	GND	36	GND
38	GND	38	GND	39	GND	40	GND

Quick reference guide is subject to change without prior notice.
For any update, please visit our website: www.nexcom.com

□=Pin1 [*]=Default setting