

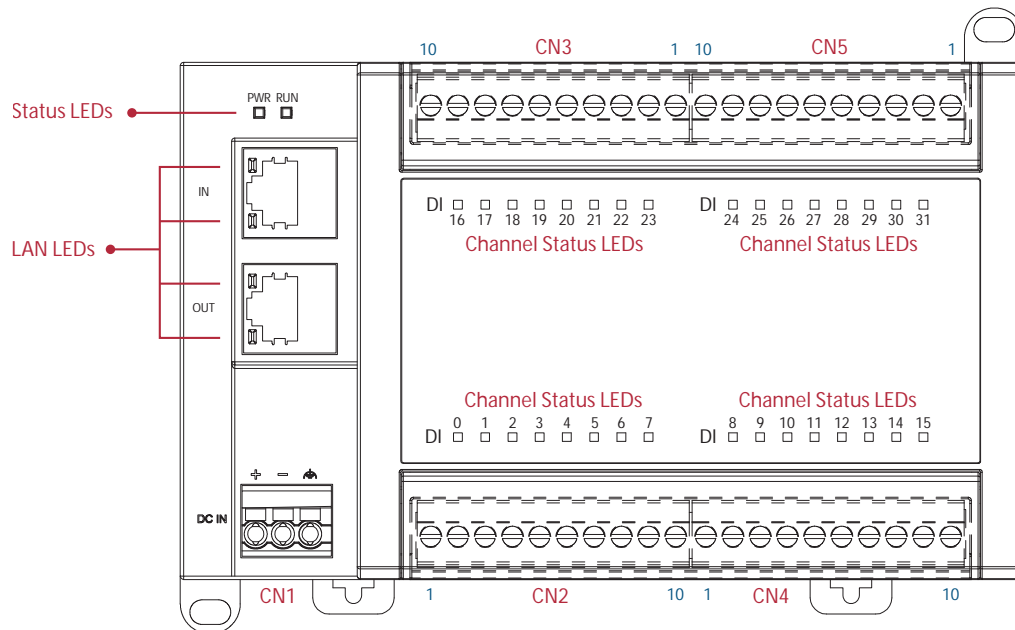
# NEIO-B1102 Quick Reference Guide

Ver. B (P/N: 60177B0340X00)

## Product Overview

The NEIO-B1102 is a 32-channel PNP/NPN type digital input EtherCAT slave module. The input filter of NEIO-B1102 is 1 ms, and its normal input voltage is 24 V<sub>DC</sub>. All of the NEIO modules are provided with high isolation protection, and verified by the EtherCAT conformance test tool. Therefore NEIO is a reliable module to implement in your applications.

## Product Appearance



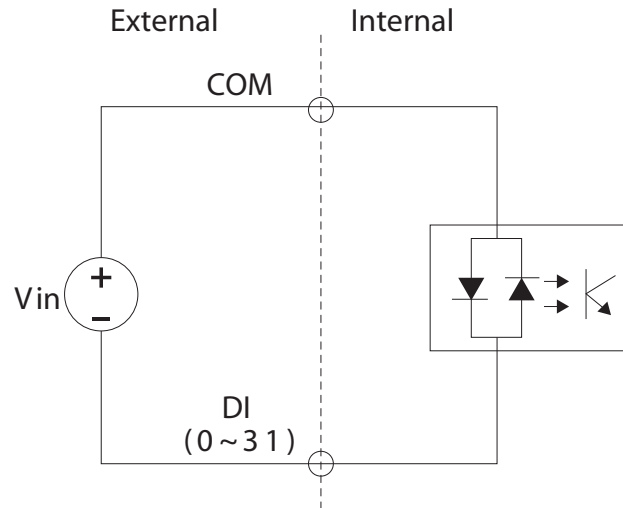
## Hardware Specifications

Power Input	
Nominal Voltage Input	24 V <sub>DC</sub> (±20%)
Electrical Isolation	2.5 kV
Terminal Block	Spring type (3P, 5.00 mm)
Cross Sections	0.2 ~ 2.5 mm <sup>2</sup> / AWG 26 ~ 12
Digital Input	
Channels	32
Input Type	24 V <sub>DC</sub> (PNP/NPN)
Input Filter	1 ms
On-state Voltage, "1"	9 ~ 24 V <sub>DC</sub>
Off-state Voltage, "0"	0 ~ 8 V <sub>DC</sub>
Input Current	<6 mA/ch
Electrical Isolation	2.5 kV
Terminal Block	Detachable screw terminals (90°, 10P, 5.00 mm)
Cross Sections	Solid wire: 0.2 ~ 4 mm <sup>2</sup> / AWG 28 ~ 12 Stranded wire: 0.2 ~ 2.5 mm <sup>2</sup> / AWG 30 ~ 12
General Specifications	
Dimensions (W x H x D)	155 x 95 x 57.4 mm
Weight	324 g ± 20%
Mounting	Din-rail (35 mm) / wall mount
Operating Temperature	0 ~ +55 °C

# NEIO-B1102 Quick Reference Guide

Ver. B (P/N: 60177B0340X00)

## Wiring Diagram




## LED Indicators

### Status LEDs

LED	Status	Color	Description
PWR	On	Green	Power on (power input range: $24 V_{DC}, \pm 20\%$ )
	Off	-	Power off
RUN	On	Green	The module is in the Operational state
	Single Flash	Green	The module is in the Safe-operational state
	Blinking	Green	The module is in the Pre-operational state
	Off	-	The module is in the Initial state

### LAN LEDs

LED	Communication Speed	Link	Act
	0	Off	Off
	10 Mbps	Off	Blinking (Yellow)
	100 Mbps	On (Green)	Blinking (Yellow)

### Channel Status LEDs

LED	Status	Color	Description
DI 0 ~ DI 31	On	Green	On-state voltage: $9 \sim 24 V_{DC}$
DI 0 ~ DI 31	Off	-	Off-state voltage: $0 \sim 8 V_{DC}$

## Pin Assignments

### CN1: Power

Pin	Description
1	V +
2	V -
3	GND

### CN2: Digital Input

Pin	Description
1	DI 0
2	DI 1
3	DI 2
4	DI 3
5	DI 4
6	DI 5
7	DI 6
8	DI 7
9	COM
10	COM

### CN3: Digital Input

Pin	Description
1	COM
2	COM
3	DI 23
4	DI 22
5	DI 21
6	DI 20
7	DI 19
8	DI 18
9	DI 17
10	DI 16

### CN4: Digital Input

Pin	Description
1	DI 8
2	DI 9
3	DI 10
4	DI 11
5	DI 12
6	DI 13
7	DI 14
8	DI 15
9	COM
10	COM

### CN5: Digital Input

Pin	Description
1	COM
2	COM
3	DI 31
4	DI 30
5	DI 29
6	DI 28
7	DI 27
8	DI 26
9	DI 25
10	DI 24