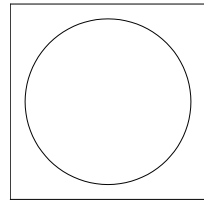


Quick Installation Guide

Ver.B (P/N: 60177A0317X00)

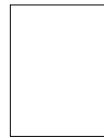
Included Accessories



Placement sticker



Screw kit



Quick guide

Physical Descriptions

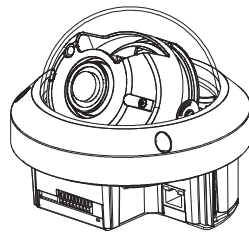


Figure 1

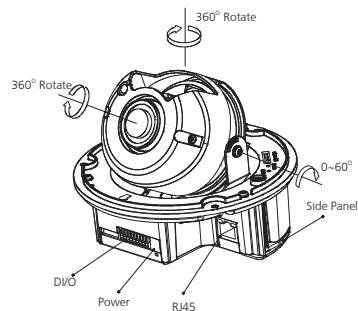


Figure 2

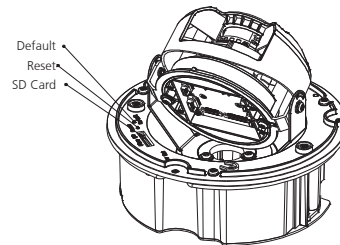
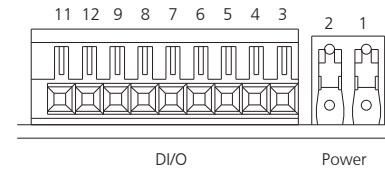


Figure 3

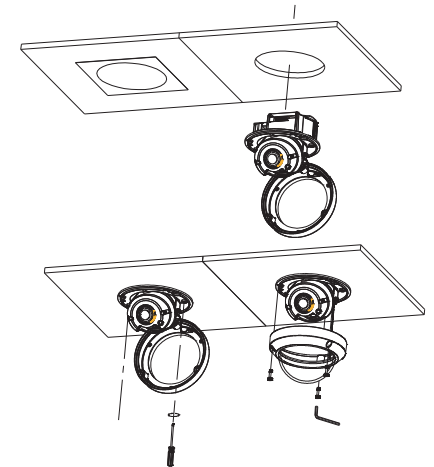
D/I/O Pinout Assignment



1	DC12/AC24V (-)
2	DC12/AC24V (+)
3	LINE_in
4	GND
5	LINE_out_R
6	LINE_out_L
7	ALM_out_NO
8	ALM_out_COM
9	LM_out_NC
10	ALM_IN (-)
11	ALM_IN (+)

Hardware Installation

1. Position the placement sticker at the desired installation location.
2. Drill a 120mm diameter hole.
3. Separate the top cover. Place the camera inside the hole then use a screw driver to rotate the side panel and adjust the height of the side panel till it fits on the mounting surface firmly.
4. Replace the top cover and secure it tightly using the supplied tool.



Web Browser (Internet Explorer)

1. Locate and open the Internet Explorer (IE) shortcut on the desktop.
2. In the address bar, type 192.168.1.168 (default IP address of the camera) and then press the Enter button.
3. You will be prompted with a pop-up window asking for login information, type in "admin" (default login name) and "9999" (default password)