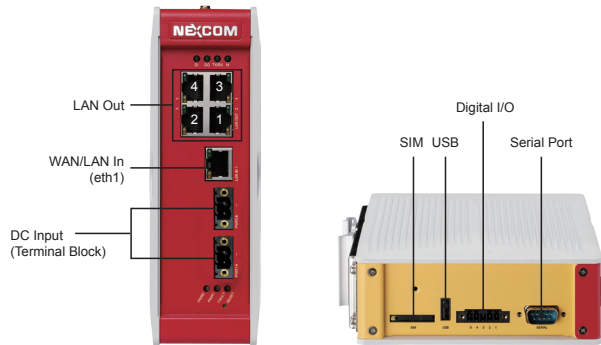


Hardware



Quick Start

What you have and what you need

For use in Pollution Degree 2 Environment.
CAUTION: FOR USE IN A CONTROLLED ENVIRONMENT.
ATTENTION: EN CAS D'UTILISATION EN ATMOSPHERE CONTROLÉE.

- ◆ With the box you receive:
 - HENGE™ industry firewall appliance
 - QIG
 - 5 pin terminal block
 - 2 power input terminals (5.08mm)
- ◆ To install Henge™ Firewall and protect your network you need:
 - DC Power socket
 - Ethernet switch (connected to your network)
 - Maximum Surrounding Air Temperature 70°C

Hardware installation

1. Place your Henge™ Firewall Appliance on a steady surface or attach it into the DIN-Rail
2. Connect the Ethernet port 1 of your Henge™ Firewall Appliance to your switch using a standard patch cable (or a crossover patch cable for a direct connection to the Ethernet interface of your PC).

Warning! The default IP address of the unit GREEN interface is 192.168.0.15. Make sure there is no other machine with this address in your network; should you have such a machine, turn it off or disconnect it from the switch during the installation and initial configuration of the unit.

3. Connect the DC power socket to the unit, which has two sets of power inputs – power input 1 and power input 2. The front view of one of the terminal block connector is shown here.



Redundant

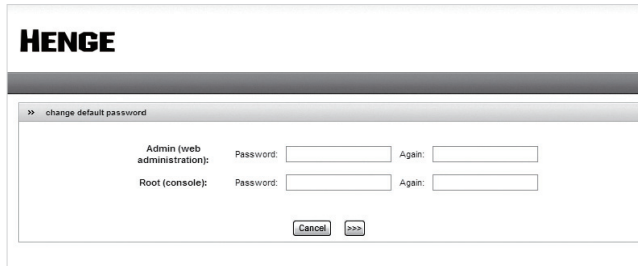


Terminal Block: 105°C suitable for 12-30AWG wire size, torque value 5-7 lb-in.

Web interface

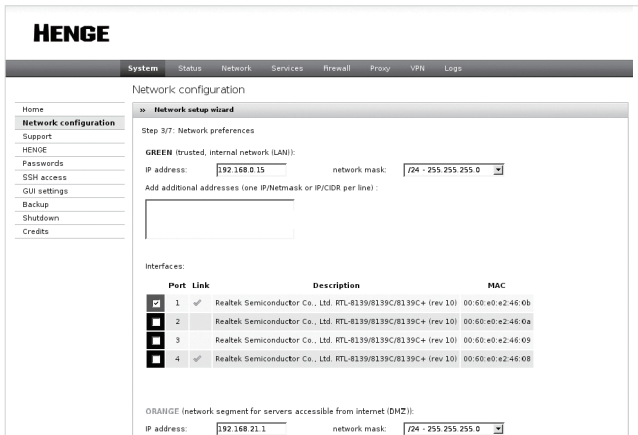
1. Configure your PC Ethernet interface with an IP address belonging to the 192.168.0.0/24 subnet that is different from 192.168.0.15 (HFW IP address)
2. Open your internet browser (eg. Mozilla firefox) and go to address 192.168.0.15

- The system will redirect to https://192.168.0.15:10433/ and as you for your preferred language, and your time zone. After that need to accept the license agreement.
- The system will now ask you to choose 2 passwords (admin for web interface and root for console). (graphics for demonstration, copy from web UI)



Choose your Internet Connection Mode

1. Now it's time to configure your internet access:
 - Ethernet Static or DHCP (if your firewall is directly connected to the internet, for example to a router)
 - PPPoE
 - ADSL or ISDN (if you are using a DSL/ISDN modem)



Network settings

1. Every network "area" is assigned to a color:
 - **GREEN** local network (LAN). This is the safe area where your trusted computers are.
 - **RED** external network (WAN). Usually this is the interface connected to the internet.
 - **BLUE** wireless network. It is suggested to place the computers that use wireless connections in this area. This kind of network is usually not as safe as a wired one.
 - **ORANGE** network for servers connected to the Internet (DMZ). It is meant for the server machines that have to provide services on **RED**. This way, even if the security

- of one of these servers has been compromised, the **GREEN** area will remain safe.
- 2. Choose your configuration and assign network interfaces to every zone (select one or more network interfaces for each zone) you want to use. Follow all the wizard steps to configure Henge™ Appliance and protect your network. (System->Network configuration)

Henge™ Network Account

To activate your Henge™ Network subscription and keep your Henge™ Appliance always up-to-date with the latest features and security updates follow these steps:

- A. You already have a Henge™ Network Account
 1. When the system asks you if you have a Henge™ Network account choose "yes" and go to the next step.
 2. Now fill in the form using your data and the activation key provided in the box on the right side.
 3. Choose your configuration and assign network interfaces to every zone (select one or more network interfaces for each zone) you want to use. Follow all the wizard steps to configure Henge™ Appliance and protect your network. (System->Network configuration)
- B. You don't have a Henge™ Network Account
 1. When the system asks you if you have an Henge™ Network account choose "no" and go to the next step.
 2. Click on the "Henge™ Network account" link and insert the activation key provided in the box on the right side.
 3. Fill in the registration form and create your account.
 4. Close the registration window and go to the next step.
 5. Now fill in the form using your data and the activation key provided in the box on the right side.

Your Henge™ Industrial Firewall Appliance is now ready to use!

Mapping Table for Reference

DB9 Connector

Pin	RS232	RS485	RS422
1	-	A-	TX-
2	RXD	A+	TX+
3	TXD	-	RX+
4	-	-	RX-
5	GND	GND	GND
6	-	-	-
7	RTS	-	-
8	CTS	-	-
9	-	-	-

Digital I/O

Pin	REF	Description
1	DO_GND	Output digital signal (0V ground) connected to the emitter of the transistor
2	DO	Output digital signal connected to the drain of the MOSFET transistor
3	DO_VDC	Common of the exothermal predrive power supply (between +12 et +24 VDC)
4	DI_GND	Ground of the input (isolated)
5	DI	Input digital signal

Din-Rail Mounting

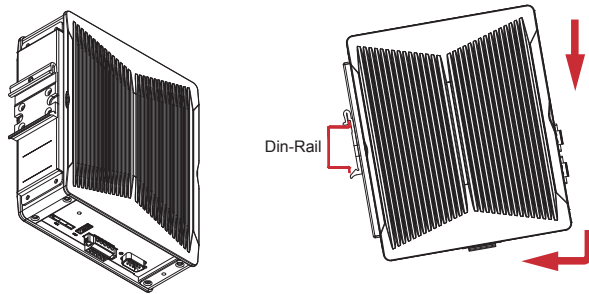
The metal Din-rail kit is fixed to the rear panel of the IFA series.

When you open the product box, mount the IFA series on corrosion-free mounting rails that meet the EN 60715 standard.

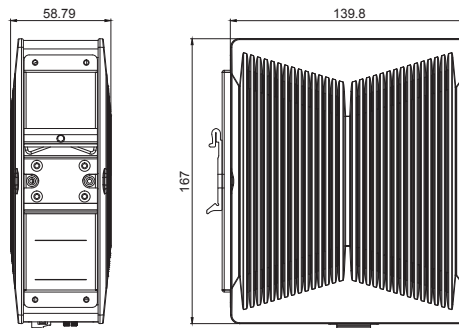
Installation

Step 1: Insert the upper lip of the Din-rail into the Din-rail mounting kit.

Step 2: Press the IFA series toward the Din-rail until it snaps into place.



Dimension(H x W x D):



Removal

Step 1: Gently pushed up from the bottom of the IFA Series.

Step 2: Slightly pull the IFA series forward and lift up to remove from the Din-rail.

