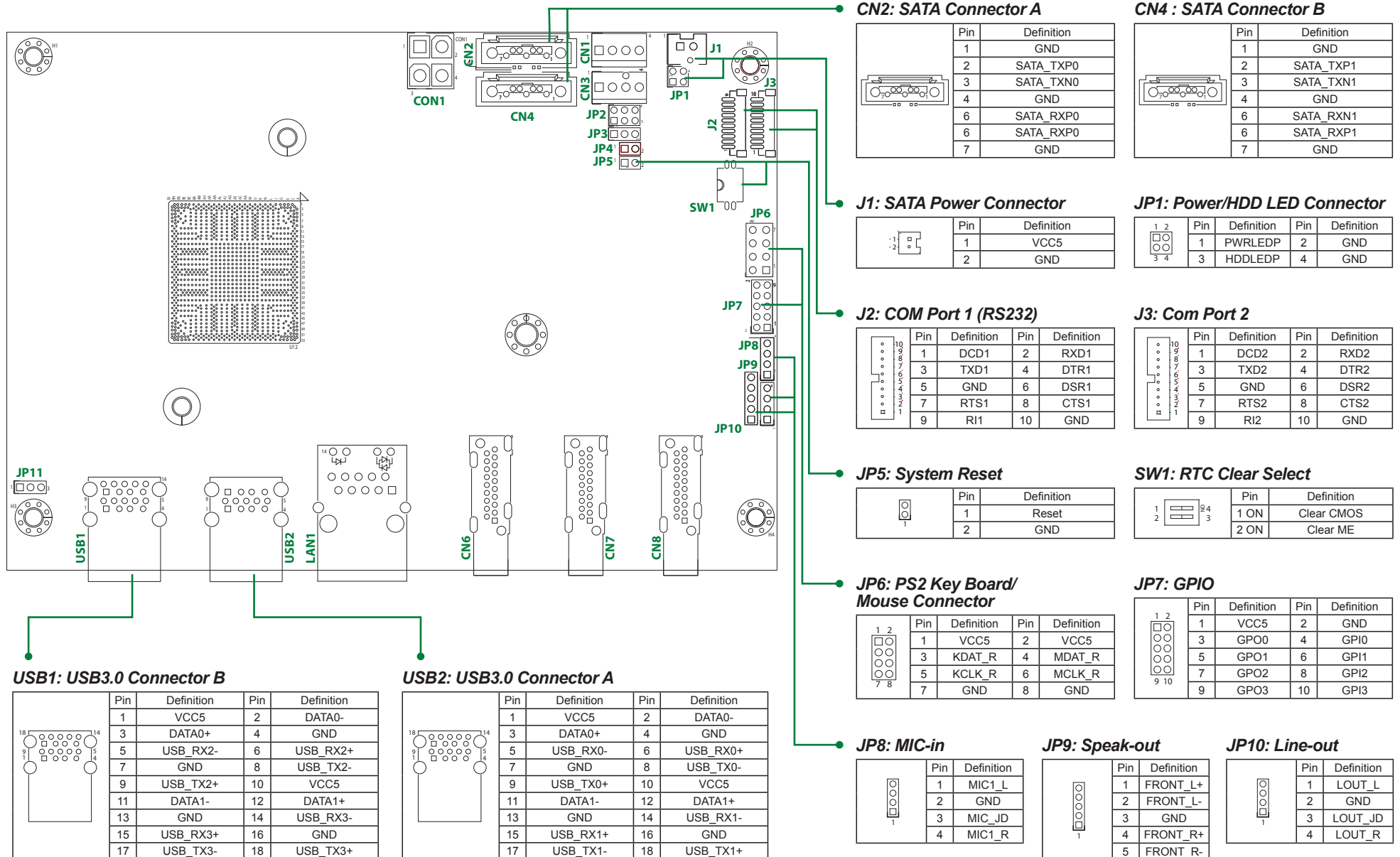


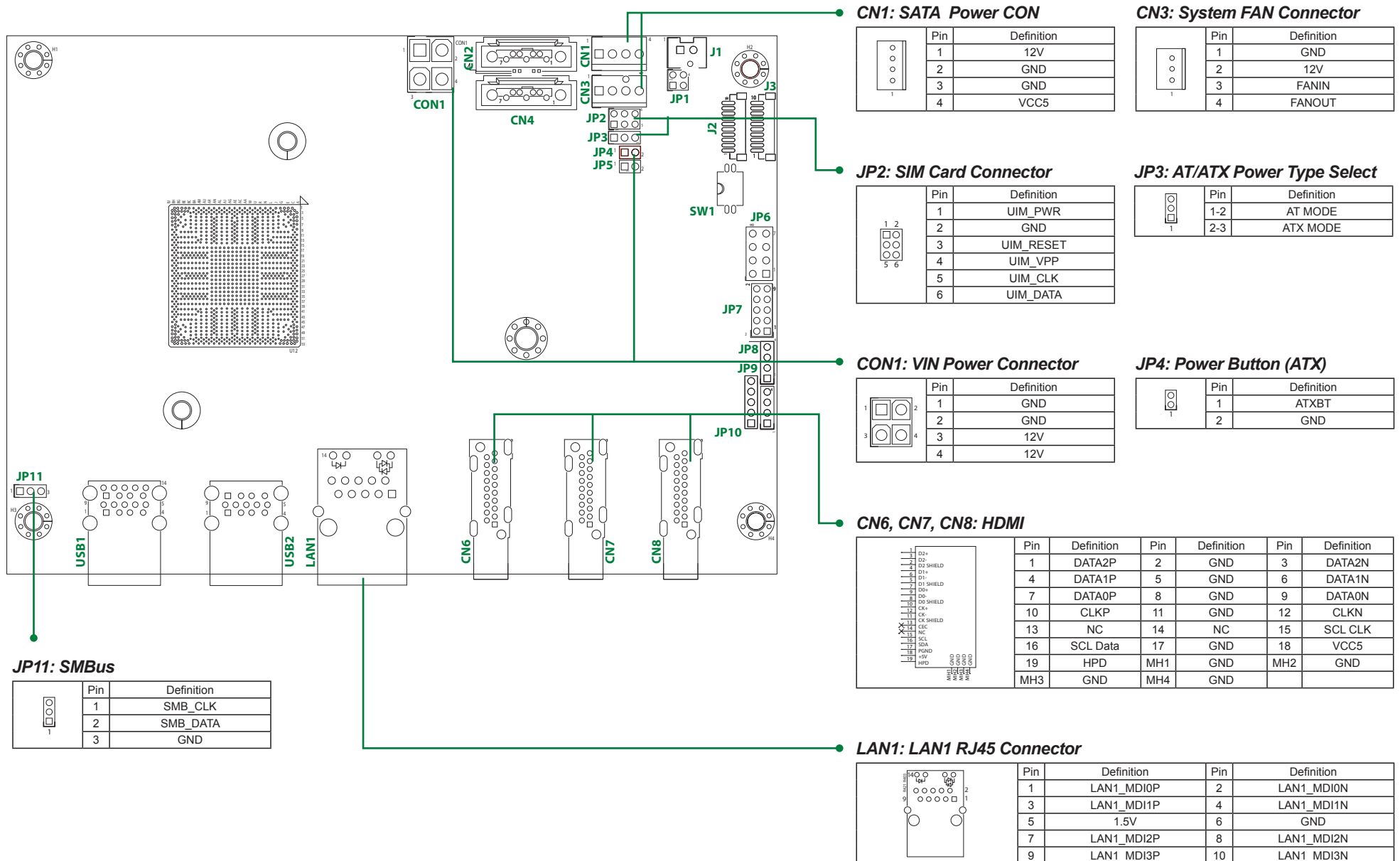
EBC 356 Quick Reference Guide

Ver A. (P/N: 60177A0465X00)



EBC 356 Quick Reference Guide

Ver A. (P/N: 60177A0465X00)



Pin	Definition
1	12V
2	GND
3	GND
4	VCC5

Pin	Definition
1	GND
2	12V
3	FANIN
4	FANOUT

Pin	Definition
1	UIM_PWR
2	GND
3	UIM_RESET
4	UIM_VPP
5	UIM_CLK
6	UIM_DATA

Pin	Definition
1-2	AT MODE
2-3	ATX MODE

Pin	Definition
1	GND
2	GND
3	12V
4	12V

Pin	Definition
1	ATXBT
2	GND

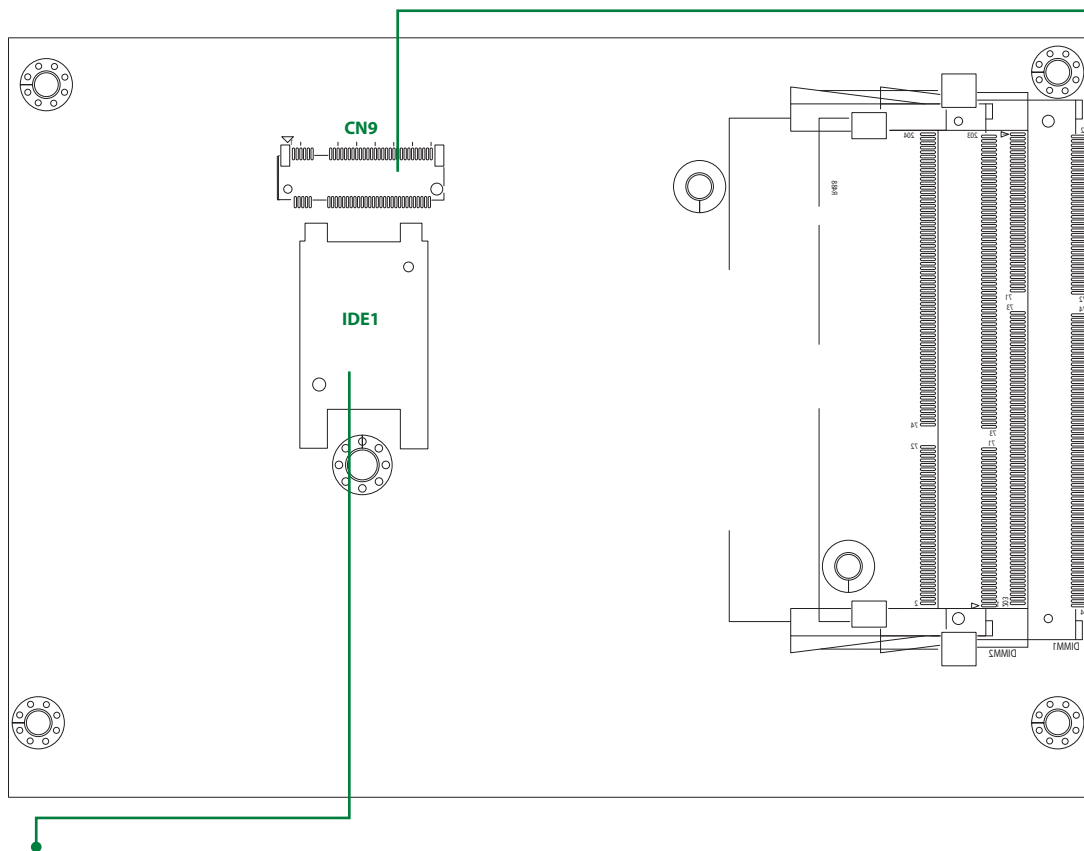
Pin	Definition	Pin	Definition	Pin	Definition
1	DATA2P	2	GND	3	DATA2N
4	DATA1P	5	GND	6	DATA1N
7	DATA0P	8	GND	9	DATA0N
10	CLKP	11	GND	12	CLKN
13	NC	14	NC	15	SCL CLK
16	SCL Data	17	GND	18	VCC5
19	HPD	MH1	GND	MH2	GND
	MH3	GND	MH4	GND	

Pin	Definition
1	SMB_CLK
2	SMB_DATA
3	GND

Pin	Definition	Pin	Definition
1	LAN1_MDI0P	2	LAN1_MDI0N
3	LAN1_MDI1P	4	LAN1_MDI1N
5	1.5V	6	GND
7	LAN1_MDI2P	8	LAN1_MDI2N
9	LAN1_MDI3P	10	LAN1_MDI3N

EBC 356 Quick Reference Guide

Ver A. (P/N: 60177A0465X00)

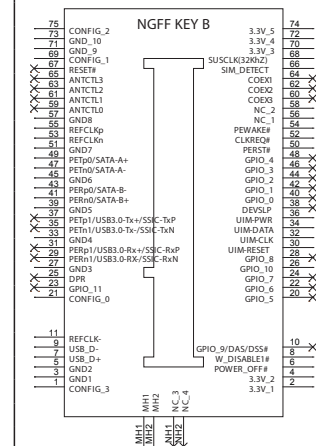


IDE1: SIM Card Connector

Pin	Definition
C1	UIM_PWR
C2	UIM_RESET
C3	UIM_CLK
C5	GND
C6	UIM_VPP
C7	UIM_DATA

CN9: NGFF (M.2) CARD (KEY-B) Connector (SATA/WWAN)

Pin	Definition	Pin	Definition
1	CONFIG_3	2	3.3V
3	GND	4	3.3V
5	GND	6	FULL_CARD_POWER_OFF# (O)(0/1.8V or 3.3V)
7	USB_D+	8	W_DISABLE1# (O)(0/3.3V)
9	USB_D-	10	NC
11	GND		CONNECTOR KEY
	CONNECTOR KEY		CONNECTOR KEY
	CONNECTOR KEY		CONNECTOR KEY
	CONNECTOR KEY		CONNECTOR KEY
21	CONFIG_0	22	NC
23	NC	24	NC
25	NC	26	GPIO_10 (I/O)(0/1.8V)
27	GND	28	NC
29	NC	30	UIM-RESET
31	NC	32	UIM-CLK
33	GND	34	UIM-DATA
35	NC	36	UIM-PWR
37	NC	38	NC
39	GND	40	NC
41	PERn0/SATA-B+	42	NC
43	PERp0/SATA-B-	44	NC
45	GND	46	NC
47	PETn0/SATA-A-	48	NC
49	PETp0/SATA-A+	50	PERST#
51	GND	52	CLKREQ#
53	REFCLKn	54	PEWAKE#
55	REFCLKp	56	NC
57	GND	58	NC
59	NC	60	NC
61	NC	62	NC
63	NC	64	NC
65	NC	66	NC
67	NC	68	SUSCLK(32kHz)
69	CONFIG_1	70	3.3V
71	GND	72	3.3V
73	GND	74	3.3V
75	CONFIG_2		



Quick reference guide is subject to change without prior notice. For any update, please visit our website: www.nexcom.com

□=Pin1 [*]=Default setting